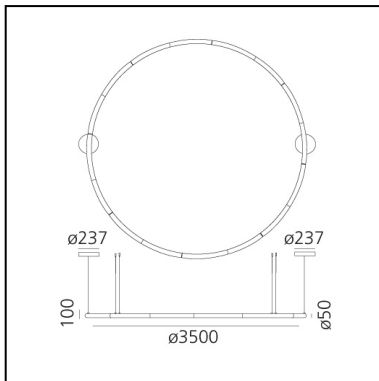


Alphabet of light circular 350 suspension

BIG - Bjarke Ingels Group



IP20    Dimmerable: 



LUMINAIRE

- Watt: **156W**
- Voltage: **220-240V**
- Delivered lumen output: **20953lm**
- CCT: **3000K**
- Efficiency: **79%**
- Efficacy: **134.31lm/W**
- CRI: **90**
- Dimmable Typology: **Push/DALI**

Notes

Patent Pending MI102016000025996.
Constant current SELV.

DESCRIPTION

Alphabet of light is a language of light to communicate in freedom; it is a fundamental principle that generates an open system. Starting from a set of essential geometric elements, also certified environmentally with EPD (Environmental Product Declaration), BIG designs a new font that translates into light - an alphabet with which to write and express thoughts, a tool for shaping spaces.

Alphabet of Light allows drawing not only with words but also with graphic signs of light in space. Two linear elements of different lengths and two circular ones complement the system of letters, numbers, and symbols. The circular element, available in two diameters, breaks down into modules that enable the combination of linear elements at different angles, creating ever-changing geometries. These simple basic modules, with precise geometric proportions, can be combined to construct infinite structures of light - essential or more complex, linear or curvilinear - defining suspensions that integrate into spaces according to the architecture or functionality of the environment.

The concept by BIG combines with Artemide's optoelectronic expertise to define an innovative construction principle and provide a continuous and comfortable light. It is a minimal presence that encompasses highly innovative optoelectronic and patented mechanical components."

FEATURES

- Product Code: **1213000A**
- Colour: **White**
- Installation: **Suspension**
- Material: **Aluminum support, frosted technopolymer diffuser element.**
- Series: **Design Collection**
- Environment: **Indoor**
- Emission: **Diffused**
- design by: **BIG - Bjarke Ingels Group**

DIMENSIONS

- Height: **50 mm**
- Diameter: **3500 mm**
- Max Height from ceiling: **1500 mm**
- Glow Wire Test: **650°**

SOURCES INCLUDED

- Category: **Led**
- Number: **1**
- CRI: **90**
- Color Tolerance: **MacAdam 3SDCM**
- Service Life: **L70 (10K) 60000h**

Accessories

NO
IMAGE
AVAILABLE

Extension feeding cable + 8
suspension wires L=6m for AoL circular
Ø350 1209200A