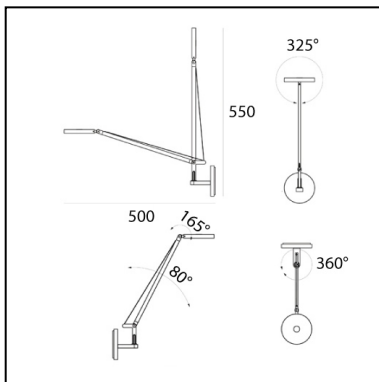


# Demetra Micro Wall - 2700K - White

Naoto Fukasawa



IP20   



## LUMINAIRE

- Watt: **6W**
- Voltage: **100-240V**
- Delivered lumen output: **241lm**
- CCT: **2700K**
- Efficiency: **49%**
- Efficacy: **40.17lm/W**
- CRI: **90**
- Dimmer Typology: **Microswitch Dimmer**

## DESCRIPTION

Demetra is essential, functional and timeless. In keeping with Naoto Fukasawa's "Without Thought" approach, it is "natural" like a spontaneous expression of the harmonious relationship between the user, the object and the environment. Perfect for reading, its light can set different moods and follow the flow of our activities, at home or work, thanks also to the possibility of incorporating a motion sensor which manages the device lighting according to the proximity of the user.

## FEATURES

- Product Code: **1748W20A**
- Colour: **White**
- Installation: **Wall**
- Material: **Aluminium, technopolymer**
- Series: **Design Collection**
- Environment: **Indoor**
- Emission: **Direct and adjustable light**
- design by: **Naoto Fukasawa**

## DIMENSIONS

- Length: **80 mm**
- Width: **100 mm**
- Height: **180 mm**
- Diameter: **110 mm**
- Base Diameter: **110 mm**
- Max Extension Height: **550 mm**
- Max Extension Length: **510 mm**
- Glow Wire Test: **750°**

## SOURCES INCLUDED

- Category: **Led**
- Number: **1**
- Watt: **6W**
- Delivered lumen output: **730lm**
- Color temperature (K): **2700K**
- CRI: **90**
- Color Tolerance: **MacAdam 2SDCM**