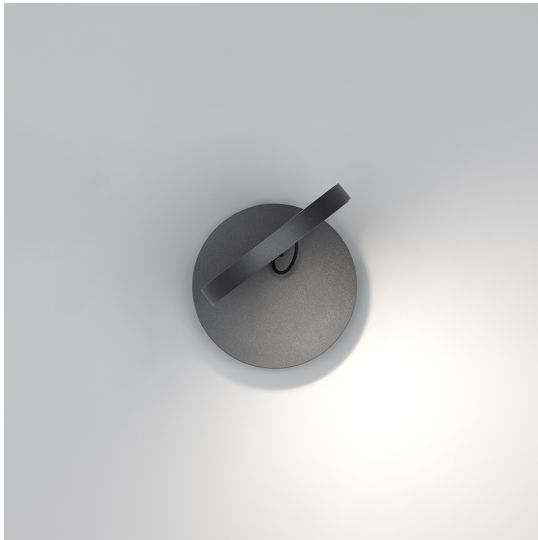
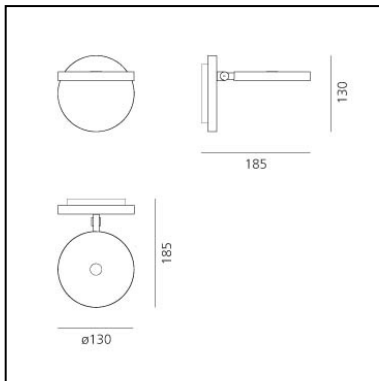


# Demetra Spotlight - with Switch - 2700K - Anthracite Grey

Naoto Fukasawa



IP20    Dimmerable: 



## LUMINAIRE

- Watt: **9W**
- Voltage: **220V-240V**
- Delivered lumen output: **360lm**
- CCT: **2700K**
- Efficiency: **54%**
- Efficacy: **40.00lm/W**
- CRI: **90**
- Dimmer Typology: **Microswitch Dimmer**

## DESCRIPTION

Adjustable and controlled directly with the dimmer placed on the head, this lamp is understated and functional, becoming a useful instrument of light for private spaces but also for work and hospitality environments.

## FEATURES

- Product Code: **1730W10A**
- Colour: **Grey anthracite**
- Installation: **Wall**
- Material: **Aluminium**
- Series: **Design Collection**
- design by: **Naoto Fukasawa**

## DIMENSIONS

- Length: **185 mm**
- Height: **130 mm**
- Diameter: **130 mm**
- Impact Resistance: **N.D.**
- Glow Wire Test: **650°**

## SOURCES INCLUDED

- Category: **Led**
- Number: **1**
- Watt: **4,8W**
- Color temperature (K): **2700K**
- CRI: **90**