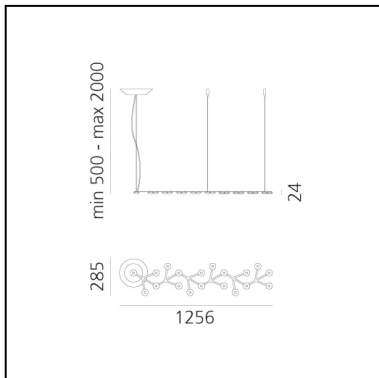


# Led Net Line 125 - Suspension - App Compatible

Michele De Lucchi  
Alberto Nason



IP20    



## LUMINAIRE

- Watt: **45W**
- Voltage: **220-240V**
- Delivered lumen output: **2530lm**
- CCT: **3000K**
- Efficiency: **78%**
- Efficacy: **56.22lm/W**
- CRI: **80**

## Notes

It's a sectional unit that enables elements to be added (supplied as special project).

## DESCRIPTION

An organic modular principle grows by multiplying and interweaving its branches as it expands and sheds light in space. In addition to the standard linear and circular versions, custom elements can be put together to meet the needs of any space in terms of geometric shapes and dimensions.

## FEATURES

- Product Code: **1578050APP**
- Colour: **Polished white**
- Installation: **Suspension**
- Material: **Aluminium, methacrylate**
- Series: **Design Collection**
- Environment: **Indoor**
- Area contract: **Hospitality, null**
- Emission: **Direct**
- design by: **Michele De Lucchi, Alberto Nason**

## DIMENSIONS

- Length: **1250 mm**
- Width: **285 mm**
- Height: **24 mm**
- Max Height from ceiling: **2000 mm**
- Glow Wire Test: **650°**

## SOURCES INCLUDED

- Category: **Led**
- Number: **18**
- Watt: **2.17W**
- Delivered lumen output: **153lm**
- Color temperature (K): **3000K**
- CRI: **80**
- Color Tolerance: **MacAdam 3SDCM**
- Efficacy: **71lm/W**
- Service Life: **50000-L70**

### Accessories



Device for switching and controlling Artemide App products. Max N.3 inputs for external push buttons. Max 1m distance. Mains power supply required. To be installed inside flush mounting boxes or junction boxes. DV1080APP