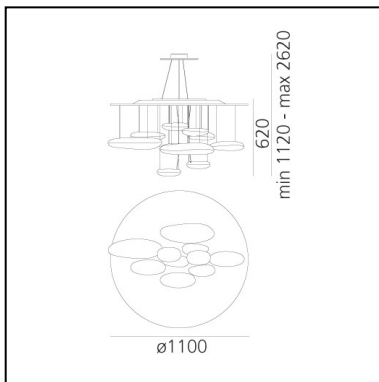


Mercury Suspension LED 2700K

Ross Lovegrove



IP20       Dimmerable: +0-



LUMINAIRE

- Watt: **58W**
- Voltage: **220V-240V**
- Delivered lumen output: **2893lm**
- CCT: **2700K**
- Efficiency: **54%**
- Efficacy: **49.88lm/W**
- CRI: **90**
- Dimmable Typology: **Push**

Notes

Its modular shape lends itself to the creation and realisation of customized compositions, supplied as special project.

DESCRIPTION

A series of large pebbles floating under an aluminum disc are reflected in the disc itself and in one another, ping-ponging the light between their smooth biomorphic surfaces. During the day, it is a sculpture which reflects the dynamics of natural light and the movement of the people around it.

FEATURES

- Product Code: **1367W10A**
- Colour: **Polished chrome**
- Installation: **Suspension**
- Material: **Stainless steel reflective frame, aluminum lighting bodies**
- Series: **Design Collection, Hydro**
- Environment: **Indoor**
- Area contract: **Hospitality, Office, Residential**
- Emission: **Indirect**
- design by: **Ross Lovegrove**

DIMENSIONS

- Height: **600 mm**
- Diameter: **1100 mm**
- Max Height from ceiling: **2000 mm**
- Glow Wire Test: **650°**

SOURCES INCLUDED

- Category: **Led**
- Number: **2**
- Watt: **23.62W**
- Delivered lumen output: **2656lm**
- Color temperature (K): **2700K**
- CRI: **90**
- Color Tolerance: **MacAdam 2SDCM**
- Efficacy: **112lm/W**
- Service Life: **50000-L70**