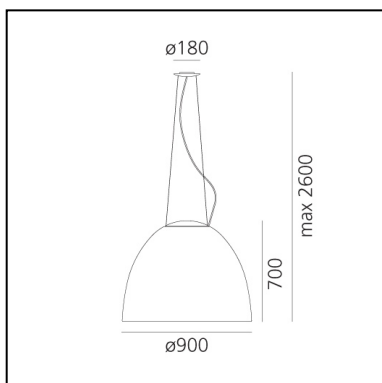


# Nur 1618 - Anthracite Grey

Ernesto Gismondi



IP20    Dimmerable:  +  -



## LUMINAIRE \*

– Watt: **22W**

– Voltage: **220V-240V** depending on the source installed.  
Light measurements are provided in relative form and technical lighting calculations may be updated according to the effective source used.

## DESCRIPTION

An extreme geometric synthesis of optics par excellence, Nur manifests its presence through a monolithic and mono-material body. The essential and geometrically calibrated lines of a perfect parabola conceal an optical heart that perfectly controls the emission, without offending direct vision. It ensures general ambient lighting thanks also to indirect emission. Artemide App Compatible.

## FEATURES

- Product Code: **A242900**
- Colour: **Anthracite Grey**
- Installation: **Suspension**
- Material: **Aluminium, methacrylate, glass**
- Series: **Design Collection**
- Environment: **Indoor**
- Area contract: **Hospitality, Residential**
- Emission: **Direct/indirect Diffused**
- design by: **Ernesto Gismondi**

## DIMENSIONS

- Height: **700 mm**
- Diameter: **900 mm**
- Base Diameter: **180 mm**
- Max Height from ceiling: **2600 mm**
- Glow Wire Test: **650°C**

## SOURCES NOT INCLUDED

- Category: **LED RETROFIT**
- Number: **2**
- Watt: **11W**
- Socket: **R7s**