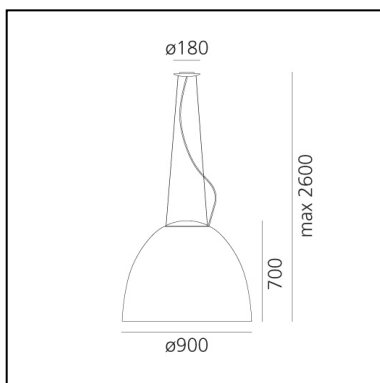


# Nur 1618 LED - Anodized Aluminium

Ernesto Gismondi



IP20     Dimmerable: 



## LUMINAIRE

- Watt: **80W**
- Voltage: **220V-240V**
- Delivered lumen output: **4308lm**
- CCT: **3000K**
- Efficiency: **48%**
- Efficacy: **53.85lm/W**
- CRI: **90**
- Dimmable Typology: **Push**

## DESCRIPTION

An extreme geometric synthesis of optics par excellence, Nur manifests its presence through a monolithic and mono-material body. The essential and geometrically calibrated lines of a perfect parabola conceal an optical heart that perfectly controls the emission, without offending direct vision. It ensures general ambient lighting thanks also to indirect emission. Artemide App Compatible.

## FEATURES

- Product Code: **A243210**
- Colour: **Anodized Aluminium**
- Installation: **Suspension**
- Material: **Aluminium, methacrylate, glass**
- Series: **Design Collection**
- Environment: **Indoor**
- Area contract: **Hospitality, Residential**
- Emission: **Direct/indirect Diffused**
- design by: **Ernesto Gismondi**

## DIMENSIONS

- Height: **700 mm**
- Diameter: **900 mm**
- Base Diameter: **180 mm**
- Max Height from ceiling: **2600 mm**
- Glow Wire Test: **650°C**

## SOURCES INCLUDED

- Category: **Led**
- Number: **1**
- Watt: **75W**
- Delivered lumen output: **9112**
- Color temperature (K): **3000K**
- CRI: **90**
- Color Tolerance: **MacAdam 2SDCM**
- Efficacy: **122lm/W**
- Service Life: **50000-L70**