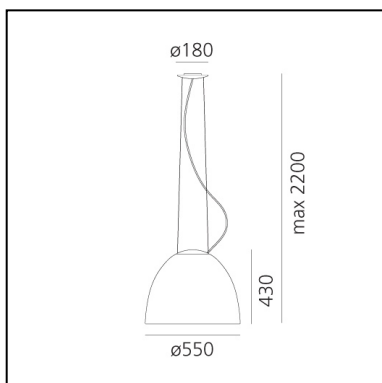


Nur Gloss - Suspension - Black

Ernesto Gismondi



IP20       Dimmerable: +0-



LUMINAIRE *

- Watt: **21W**
- Voltage: **220V-240V**
- Delivered lumen output: **1013lm**
- Efficiency: **41%**
- Efficacy: **48.24lm/W**
- CRI: **80**

* Photometric data may vary depending on the source installed. Light measurements are provided in relative form and technical lighting calculations may be updated according to the effective source used.

Notes

A new perfectly smooth and polished finish gives elegance to the classicNur model. All the versions are encased in a diffuser at the bottom.

DESCRIPTION

An extreme geometric synthesis of optics par excellence, Nur manifests its presence through a monolithic and mono-material body. The essential and geometrically calibrated lines of a perfect parabola conceal an optical heart that perfectly controls the emission, without offending direct vision. It ensures general ambient lighting thanks also to indirect emission. Artemide App Compatible.

FEATURES

- Product Code: **A242110**
- Colour: **Black**
- Installation: **Suspension**
- Material: **Aluminium, polycarbonate, glass**
- Series: **Design Collection**
- Environment: **Indoor**
- Area contract: **Hospitality, Office, Residential**
- Emission: **Direct/indirect**
- design by: **Ernesto Gismondi**

DIMENSIONS

- Height: **439 mm**
- Diameter: **554 mm**
- Max Height from ceiling: **2000 mm**
- Impact Resistance: **N/D**
- Glow Wire Test: **650°**

SOURCES NOT INCLUDED

- Category: **LED RETROFIT**
- Number: **1**
- Watt: **21W**
- Socket: **E27**