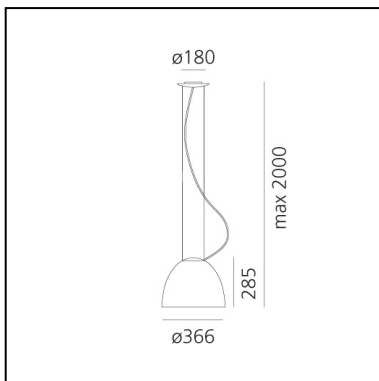


Nur Mini Gloss LED - Suspension - White

Ernesto Gismondi



IP20   **EAC**    Dimmerable: 



LUMINAIRE

- Watt: **30W**
- Voltage: **220V-240V**
- Delivered lumen output: **1287lm**
- CCT: **2700K**
- Efficiency: **47%**
- Efficacy: **42.90lm/W**
- CRI: **90**
- Dimmable Typology: **Push**

Notes

All the versions are encased in a diffuser at the bottom.

DESCRIPTION

An extreme geometric synthesis of optics par excellence, Nur manifests its presence through a monolithic and mono-material body. The essential and geometrically calibrated lines of a perfect parabola conceal an optical heart that perfectly controls the emission, without offending direct vision. It ensures general ambient lighting thanks also to indirect emission. Artemide App Compatible.

FEATURES

- Product Code: **A246400**
- Colour: **White**
- Installation: **Suspension**
- Material: **Aluminum, methacrylate, glass**
- Series: **Design Collection**
- Environment: **Indoor**
- Area contract: **Hospitality, Residential**
- Emission: **Direct/indirect**
- design by: **Ernesto Gismondi**

DIMENSIONS

- Height: **285 mm**
- Diameter: **360 mm**
- Base Diameter: **180 mm**
- Max Height from ceiling: **2200 mm**
- Glow Wire Test: **650°C**

SOURCES INCLUDED

- Category: **Led**
- Number: **1**
- Watt: **30W**
- Delivered lumen output: **2990lm**
- Color temperature (K): **2700K**
- CRI: **90**
- Color Tolerance: **MacAdam 2SDCM**