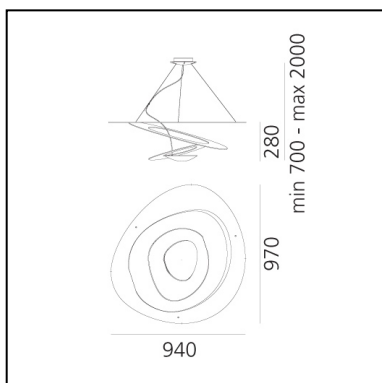


Pirce Suspension LED - 3000K - White

Giuseppe Maurizio Scutellà



IP 20    Dimmerable:  



LUMINAIRE

- Watt: **44W**
- Voltage: **220V-240V**
- Delivered lumen output: **3313lm**
- CCT: **3000K**
- Efficiency: **82%**
- Efficacy: **75.30lm/W**
- CRI: **90**
- Dimmable Typology: **Push**

DESCRIPTION

Pirce's award-winning design is one of Artemide's top sellers. Originally released in halogen, its light source has been reimagined to incorporate a high quality, energy-efficient LED light source.

Pirce is not only an elegant light source, it is an alluring decoration with a strong sense of presence turned on or off. Its slim disc merges softly into flowing twirls that spiral downwards to create alluring lighting effects.

FEATURES

- Product Code: **1254110A**
- Colour: **White**
- Installation: **Suspension**
- Material: **Aluminum**
- Series: **Design Collection**
- Environment: **Indoor**
- Area contract: **Residential**
- Emission: **Indirect**
- design by: **Giuseppe Maurizio Scutellà**

DIMENSIONS

- Length: **940 mm**
- Width: **970 mm**
- Height: **280 mm**
- Max Height from ceiling: **2000 mm**
- Glow Wire Test: **650°**

SOURCES INCLUDED

- Category: **Led**
- Number: **1**
- Watt: **44W**
- Delivered lumen output: **4230lm**
- Color temperature (K): **3000K**
- CRI: **90**
- Color Tolerance: **MacAdam 2SDCM**