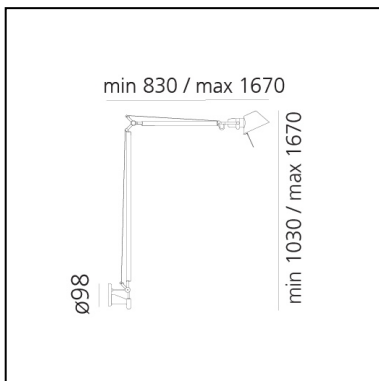


Tolomeo Braccio LED - 3000K

Michele De Lucchi
Giancarlo Fassina



IP20   **EAC** **CE**



LUMINAIRE

- Watt: **8W**
- Voltage: **100-240V**
- Delivered lumen output: **761lm**
- CCT: **3000K**
- Efficiency: **100%**
- Efficacy: **95.10lm/W**
- CRI: **90**
- Dimmer Typology: **Microswitch Dimmer**

DESCRIPTION

Icon of Italian design and the result of the brainchild of designers Michele De Lucchi and Giancarlo Fassina, the Tolomeo lamp was launched on the market in 1987. It embodies the perfect balance between functionality and aesthetics.

The design of the Tolomeo is characterized by clean and minimalist lines, with a structure made of aluminum. This material gives the lamp not only a modern and sophisticated look but also remarkable lightness and robustness. The lamp head, adjustable in all directions, is equipped with a stamped aluminum reflector that ensures uniform light distribution, making it ideal for various lighting needs.

One of the distinctive elements of the Tolomeo is its articulated arm system. Thanks to an innovative spring mechanism, the lamp can be easily adjusted in height and tilt, ensuring great flexibility of use. This makes it perfect to illuminate the work surface or as a reading lamp to create cozy and relaxing atmospheres.

The timeless elegance and impeccable functionality have made it one of the most famous lamps in the world and it has received numerous international awards, including the prestigious Compasso d'Oro. This lamp is not just an object of illumination, but a true masterpiece of design that continues to inspire and fascinate generations of beauty lovers.

FEATURES

- Product Code: **A046050**
- Colour: **Aluminum**
- Installation: **Wall**
- Material: **Aluminium**
- Series: **Design Collection**
- design by: **Michele De Lucchi, Giancarlo Fassina**

DIMENSIONS

- Length: **830 mm**
- Height: **1030 mm**
- Max Extension Height: **1670 mm**
- Max Extension Length: **1670 mm**

SOURCES INCLUDED

- Category: **Led**
- Number: **1**
- Watt: **5,5W**
- Color temperature (K): **3000K**
- CRI: **90**