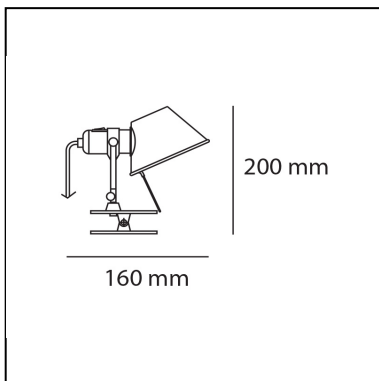


Tolomeo Micro Pinza - Red

Michele De Lucchi
Giancarlo Fassina



IP20   **EAC**  



LUMINAIRE *

- Watt: **5W**
- Voltage: **220V-240V**
- Delivered lumen output: **267lm**
- Efficiency: **57%**
- Efficacy: **53.33lm/W**
- CRI: **80**

* Photometric data may vary depending on the source installed.
Light measurements are provided in relative form and technical lighting calculations may be updated according to the effective source used.

Notes

Possibility to mount LED source on E14 Socket

DESCRIPTION

Icon of Italian design and the result of the brainchild of designers Michele De Lucchi and Giancarlo Fassina, the Tolomeo lamp was launched on the market in 1987. It embodies the perfect balance between functionality and aesthetics.

The iconic head of the Tolomeo lamp becomes an instrument of light which can be fixed anywhere thanks to a practical clip. Sustainable and timeless, it is perfect for lighting any living or work space.

FEATURES

- Product Code: **A010810**
- Colour: **Metal red**
- Installation: **Wall**
- Material: **Aluminium, steel**
- Series: **Design Collection**
- design by: **Michele De Lucchi, Giancarlo Fassina**

DIMENSIONS

- Height: **200 mm**
- Depth: **160 mm**

SOURCES NOT INCLUDED

- Category: **LED RETROFIT**
- Number: **1**
- Watt: **6W**
- Socket: **E14**