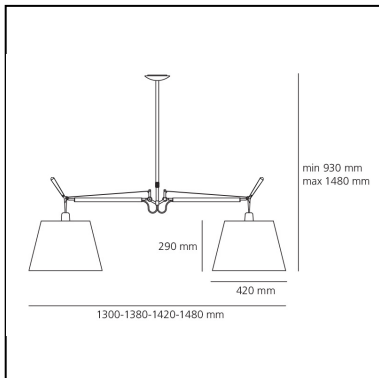


# Tolomeo Suspension Basculante Due Bracci - Body Lamp

Michele De Lucchi  
Giancarlo Fassina



IP20   **EAC** Dimmerable: 



## LUMINAIRE \*

- Watt: **42W**
- Voltage: **220V-240V**
- Delivered lumen output: **4253lm**
- Efficiency: **87%**
- Efficacy: **101.25lm/W**
- CRI: **80**

\* Photometric data may vary depending on the source installed.  
Light measurements are provided in relative form and technical lighting calculations may be updated according to the effective source used.

## Notes

Possibility to mount LED source on E27 Socket. Complete lamp consists of body lamp + accessories

## DESCRIPTION

Icon of Italian design and the result of the brainchild of designers Michele De Lucchi and Giancarlo Fassina, the Tolomeo lamp was launched on the market in 1987. It embodies the perfect balance between functionality and aesthetics.

The design of the Tolomeo is characterized by clean and minimalist lines, with a structure made of aluminum. This material gives the lamp not only a modern and sophisticated look but also remarkable lightness and robustness.

One of the distinctive elements of the Tolomeo is its articulated arm system. Thanks to an innovative spring mechanism, the lamp can be easily adjusted in height and tilt, ensuring great flexibility of use.

Two spring-balanced arms open out from a single stem, allowing the simple movement of the two diffusers, which are available in four different sizes.

## FEATURES

- Product Code: **0630010A**
- Colour: **Aluminium**
- Installation: **Suspension**
- Material: **Aluminum**
- Series: **Design Collection**
- design by: **Michele De Lucchi, Giancarlo Fassina**

## DIMENSIONS

- Width: **1300 mm**
- Height: **930 mm**
- Diameter: **240 mm**
- Max Height from ceiling: **1480 mm**

## SOURCES NOT INCLUDED

- Category: **LED RETROFIT**
- Number: **2**
- Watt: **17W**
- Socket: **E27**

## ALTERNATIVE SOURCES

- Category: **LED RETROFIT**
- Number: **2**
- Watt: **21W**
- Socket: **E27**

**Accessories**



Parchment paper diffuser ø 360 mm 0780020A



Parchment paper diffuser ø 240 mm 0372050A



Silk diffuser ø 360 mm 0781020A



Silk diffuser ø 240 mm 0781050A



Parchment paper diffuser ø 320 mm 0780010A



Parchment paper diffuser ø 420 mm 0780030A



Silk diffuser ø 320 mm 0781010A



Silk diffuser ø 420 mm 0781030A