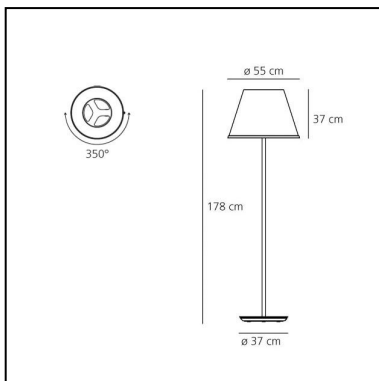


Choose Mega Floor - Parchment/Chrome

Matteo Thun & Partners



LUMINAIRE *

- Watt: **52W**
- Voltage: **220V-240V**
- Delivered lumen output: **5022lm**
- Efficiency: **83%**
- Efficacy: **14.62lm/W**

← **CR1 100** data may vary depending on the source installed. Light measurements are provided in relative form and technical lighting calculations may be updated according to the effective source used.

DESCRIPTION

The diffuser, which characterises this lamp family with its materials and texture, can be tilted by 30° and rotated on its own axis to direct the light for reading in Choose Floor, while it remains fixed in the Mega version.

FEATURES

- Product Code: **1135120A**
- Colour: **Parchment/Chrome**
- Installation: **Floor**
- Material: **Polycarbonate, parchment paper, steel, zamak**
- Series: **Design Collection**
- Environment: **Indoor**
- Area contract: **Hospitality**
- Emission: **Diffused And Direct**
- design by: **Matteo Thun & Partners**

DIMENSIONS

- Height: **1780 mm**
- Diameter: **550 mm**
- Base Diameter: **370 mm**
- Glow Wire Test: **750°**

SOURCES NOT INCLUDED

- Category: **LED RETROFIT**
- Number: **3**
- Watt: **15W**
- Socket: **E27**
- Category: **LED RETROFIT**
- Number: **1**
- Watt: **8W**
- Socket: **E27**