
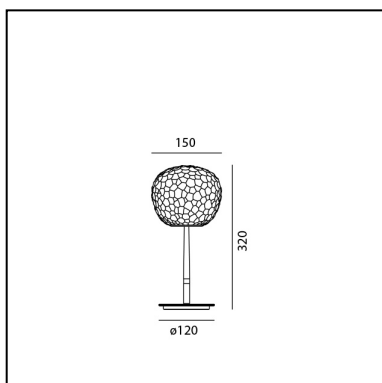


Meteorite 15 Table Stem (E14)

Pio & Tito Toso



IP20   



LUMINAIRE *

- Watt: **5W**
- Voltage: **220V - 240V**
- Delivered lumen output: **252lm**
- Efficiency: **54%**
- Efficacy: **50.36lm/W**

← **CR180** data may vary depending on the source installed.
Light measurements are provided in relative form and technical lighting calculations may be updated according to the effective source used.

DESCRIPTION

The double-layer artistic glass diffuser is handmade using the mould-blowing craft technique followed by grinding, with the end result resembling the age-old Murano art of 'battuto' glass with its textured, beaten look.

FEATURES

- Product Code: **1709110A**
- Colour: **white**
- Installation: **Table**
- Material: **Steel base and rod, technopolymer support, blown frosted glass diffuser with acid-etching treatment**
- Series: **Design Collection**
- design by: **Pio & Tito Toso**

DIMENSIONS

- Height: **320 mm**
- Diameter: **150 mm**
- Base Diameter: **120 mm**
- Glow Wire Test: **N/D°**

SOURCES NOT INCLUDED

- Category: **LED RETROFIT**
- Number: **1**
- Socket: **E14**