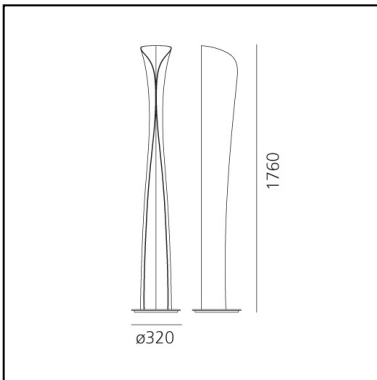


Cadmo Floor - LED - White/White 3000K

Karim Rashid



IP20   



LUMINAIRE *

- Watt: **44W**
- Voltage: **220V-240V**
- Delivered lumen output: **4003lm**
- CCT: **3000K**
- Efficiency: **90%**
- Efficacy: **90.98lm/W**
- CRI: **90**

* Photometric data may vary depending on the source installed.
Light measurements are provided in relative form and technical lighting calculations may be updated according to the effective source used.

Notes

Lamp included. With touch dimmer.

DESCRIPTION

Floor and wall lamp. A steel panel screens and releases a soft indirect light upwards together with a diffused light along the vertical aperture of the lamp. Painted steel body lamp, with cover-base in painted inox-steel. With light intensity regulator.

FEATURES

- Product Code: **1361020A**
- Colour: **White / White**
- Installation: **Floor**
- Material: **Steel**
- Series: **Design Collection**
- Environment: **Indoor**
- Area contract: **Hospitality, Residential**
- Emission: **Indirect And Diffused**
- design by: **Karim Rashid**

DIMENSIONS

- Height: **1740 mm**
- Diameter: **320 mm**

SOURCES INCLUDED

- Category: **Led**
- Number: **1**
- Watt: **44W**
- Delivered lumen output: **4042lm**
- Color temperature (K): **3000K**
- CRI: **90**
- Color Tolerance: **MacAdam 3SDCM**

SOURCES NOT INCLUDED

- Category: **LED RETROFIT**
- Number: **1**
- Watt: **10W**
- Socket: **GU10**
- Color temperature (K): **3000K**