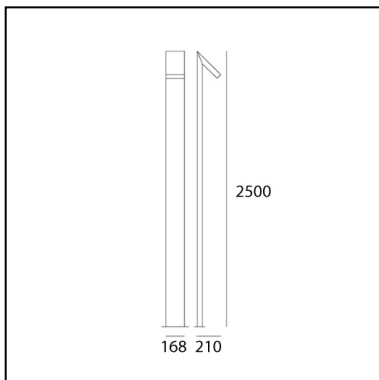


Chilone Pole 250 Rust

Ernesto Gismondi



LUMINAIRE

- Watt: **14W**
- Voltage: **220V-240V**
- Delivered lumen output: **628lm**
- CCT: **3000K**
- Efficiency: **48%**
- Efficacy: **44.85lm/W**
- CRI: **80**

Notes

Floor version is available in three heights and in Up model. Floor fixing with ground mounting plate.

DESCRIPTION

Floor and wall matching outdoor luminaires. It is possible to install the device with the light pointed either downwards or upwards.

FEATURES

- Product Code: **T082010**
- Colour: **Rust**
- Installation: **PoleFloor**
- Material: **Aluminum, polycarbonate**
- Series: **Architectural Outdoor**
- Environment: **Outdoor**
- Area contract: **null**
- Emission: **Direct**
- design by: **Ernesto Gismondi**

DIMENSIONS

- Length: **210 mm**
- Width: **168 mm**
- Height: **2500 mm**

SOURCES INCLUDED

- Category: **Led**
- Number: **1**
- Watt: **16W**
- Color temperature (K): **3000K**
- Color Tolerance: **MacAdam 2SDCM**
- Service Life: **L70 (6K) 50000h**