



## SLC DL04 R83 BL 650TED 2700K CRI90 IP54 36°

14/03/2023

### SLC1103



### Product description

The SLC DL04 Round X1 is a tiltable recessed luminaire, providing an excellent lighting experience and a discrete look. A modern, deeply recessed LED chip provides a pleasant light with low glare and a good colour rendering.

The SLC DL04 Round X1 is a tiltable recessed luminaire, providing an excellent lighting experience and a discrete look. A modern, deeply recessed LED chip provides a pleasant light with low glare and a good colour rendering.

- Tiltable (25°)
- CRI Ra>90
- UGR<22
- Dimmable (TED driver included)
- Recommended dimmer: SLC SmartOne (S24019)
- Easy mounting with Slidlock - no visible screws
- Quick connection box with Loop-in / Loop-Out
- 16 mm cable tube



### Technical data

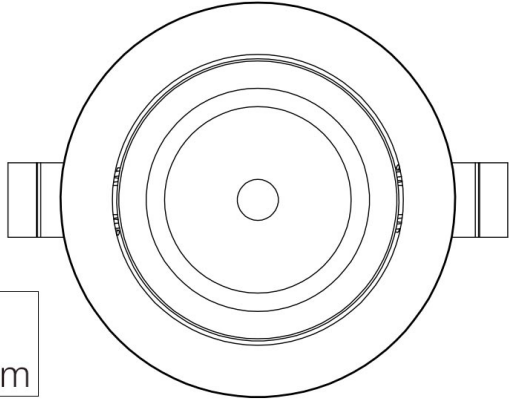
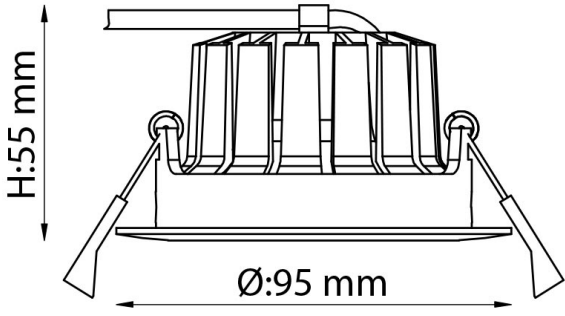
Suitable for built-in mounting	Yes
Suitable for ceiling mounting	Yes
Lamp type	LED not exchangeable
Housing material	Aluminium
Housing colour	Black
Voltage type	AC/DC
Nominal current	230 - 230 Milliampere
With control gear	Yes

Suitable for suspended mounting	No
Adjustability	Swivelling
With light source	Yes
Surface protection	Powder coating
Material cover	Plastic, transparent
Nominal voltage	220 - 240 Volt
Type of control gear	LED operating device current-controlled
Dimming phase cut-off	Yes

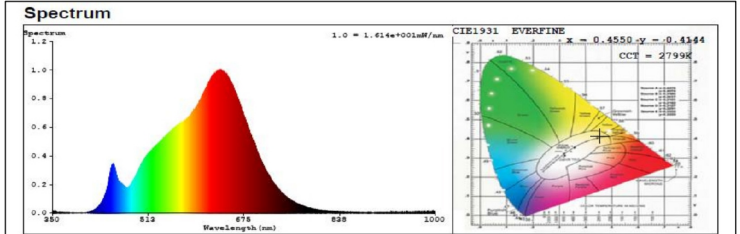


Reflector	High-gloss
Light sharing	Symmetric
Beam angle	Medium beam 21-40°
Energy efficiency class of the light source a	F
Protection class	II
Max. system power	10 Watt
Colour temperature	2700 - 2700 Kelvin
Luminous flux	650 - 650 Lumen
Power factor	0,9
Luminous flux adjustable	Continuously variable
Width	95 Millimetre
Outer diameter	95 Millimetre
Built-in height/depth	55 Millimetre
Type of wiring	Suitable for through wiring
Conductor cross section	0,35 Square millimetre
Connection type	Push-in clamp
Strain relief	Yes
Beam angle (°)	36
Exterior color	Black
Cut-out hole (Ø: mm)	83
Dimmable	Yes
Dimming range	1-100%
GTIN	7070938055154
HS Code	94051040

Light distributor	Reflector
Reflector colour	Silver
Light outlet	Direct
Degree of protection (IP)	IP54
Rated ambient temperature according to IEC	-10 - 40 Degrees celsius
Colour of light	White
Colour rendering index CRI	90-100
Rated luminous flux according to IEC 62722-	650 Lumen
Colour of light adjustable	No
Beam angle adjustable	No
Height/depth	55 Millimetre
Built-in width	83 Millimetre
Built-in diameter	83 - 83 Millimetre
Number of poles	3
Connectable conductor cross section	0,75 - 2,5 Square millimetre
Colour consistency (McAdam ellipse)	SDCM3
Colour rendering index (CRI/Ra)	90
Tilt-able (°)	25
Operating temperature	-10°C ~ +45°C
Dimming method	Trailing edge
Type of control signal	Amplitude modulation (AM)
Brand	SLC
Produced by	The Light Group

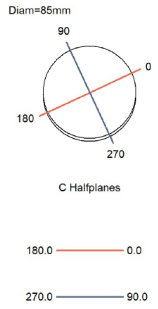


CREE-CXA1507-4-011213-3719005-2700K-200mA

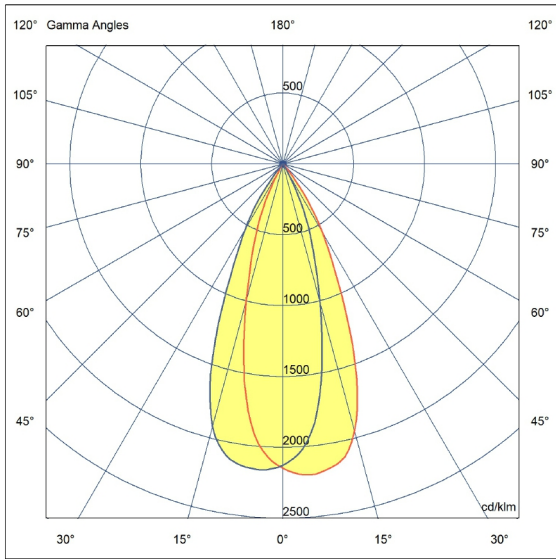


Colorimetric Parameters

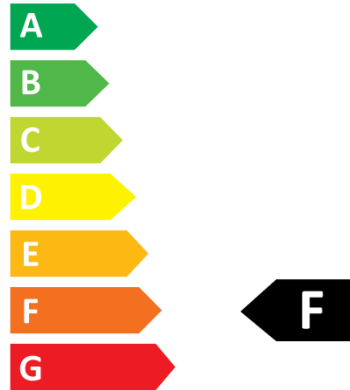
Chromaticity Coordinate: x = 0.4550 y = 0.4144 / u' = 0.2577 v' = 0.5281 (duv=1.86e-03)
CCT= 2799K Prcp WL: Ld=583.1nm Purity=61.0%
Peak WL: Lp=635nm FWHM: =157.7nm Ratio:R=26.2% G=71.2% B=2.6%
Render Index: Ra = 97.8 TM30:Rf=96 Rg=100
R1 =99 R2 =98 R3 =96 R4 =99 R5 =98 R6 =98 R7 =99
R8 =96 R9 =88 R10=94 R11=98 R12=87 R13=99 R14=97 R15=97
CQS Parameters: Qa = 97.3



Flux 744 lm
Maximum 2220.37 cd/klm
Position C=330.00 G=7.00
Efficiency: 100.00%
Date: 29-07-2021
Asymmetrical



Scandinavian Lighting Concept
SLC1103



9 kWh/1000h

