

SLC ONE 360 R68-83 BL 600TED 2700K CRI90 IP44 36°

14/03/2023

SLC1122



Product description

One 360° is "a jack of all trades" downlight for all types of installations. If you could only choose One downlight, the One360° would be your best choice. You cant go wrong with a semi-recessed high end LED chip together with tilt/ rotate, iso safe design, flexible cut-out hole and low installation depth. The One 360° thrives just as good in a cornice in the Norwegian winter mountains as in a warm and cosy living room.

One 360° is "a jack of all trades" downlight for all types of installations. If you could only choose One downlight, the One360° would be your best choice. You cant go wrong with a semi-recessed high end LED chip together with tilt/ rotate, iso safe design, flexible cut-out hole and low installation depth. The One 360° thrives just as good in a cornice in the Norwegian winter mountains as in a warm and cosy living room.

- Dimmable (TED) driver included
- Recommended dimmer: SLC SmartOne (S24019)
- *No installation box required (TED)
- Tilttable 30° in all directions (360°)
- Suitable for outdoor installation*
- Quick connection box with Loop-in / Loop-Out
- 16 mm Cable/Tube connection



Technical data

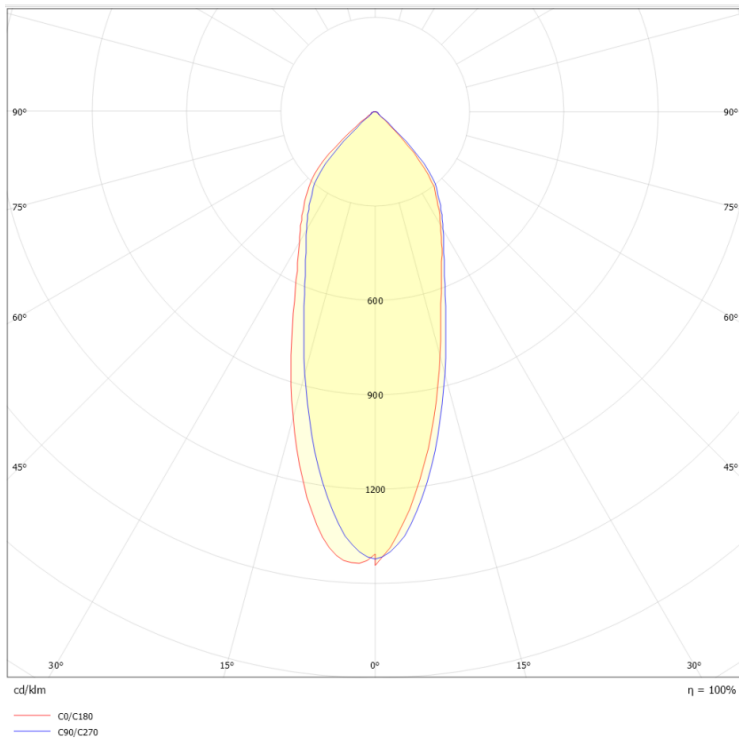
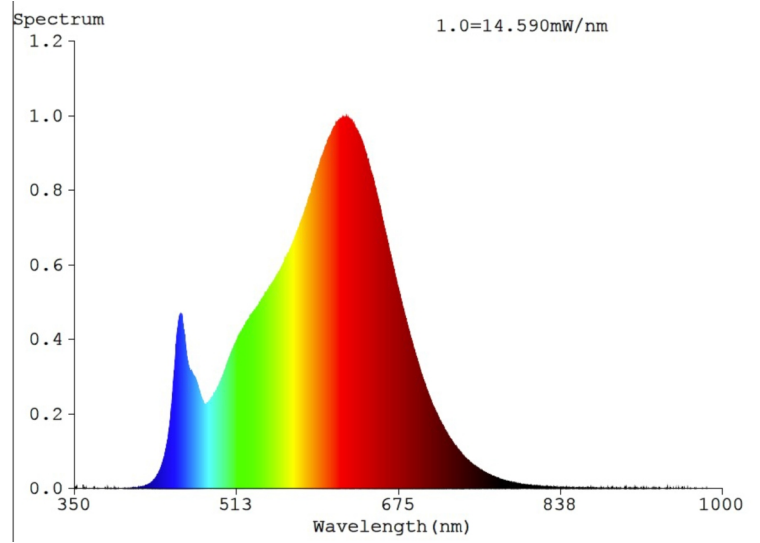
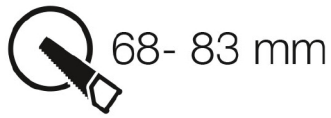
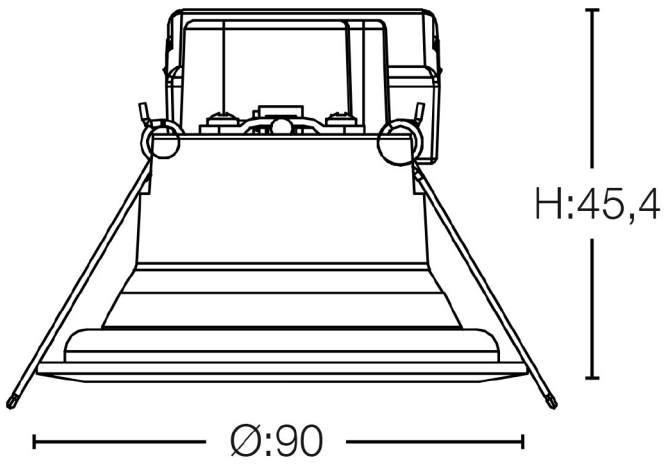
Suitable for built-in mounting	Yes	Suitable for suspended mounting	No
Suitable for ceiling mounting	Yes	Adjustability	Rotating and swivelling
Lamp type	LED not exchangeable	With light source	Yes
Housing material	Aluminium	Surface protection	Powder coating
Housing colour	Black	Material cover	Plastic, transparent
Voltage type	AC/DC	Nominal voltage	220 - 240 Volt
Nominal current	180 - 180 Milliampere	Type of control gear	LED operating device current-controlled





With control gear	Yes
Reflector	High-gloss
Light sharing	Symmetric
Beam angle	Medium beam 21-40°
Energy efficiency class of the light source a	F
Protection class	II
Max. system power	8 Watt
Colour temperature	2700 - 2700 Kelvin
Luminous flux	600 - 600 Lumen
Power factor	0,9
Luminous flux adjustable	Continuously variable
Outer diameter	90 Millimetre
Built-in height/depth	46 Millimetre
Type of wiring	Suitable for through wiring
Conductor cross section	0,35 Square millimetre
Connection type	Push-in clamp
Colour consistency (McAdam ellipse)	SDCM3
Colour rendering index (CRI/Ra)	90
Tilt-able (°)	360
Exterior color	Black
Can be installed directly into the insulation	Yes
Dimming method	Trailing edge
Type of control signal	Amplitude modulation (AM)
Brand	SLC
Produced by	The Light Group
RAL Colour	RAL9005

Dimming phase cut-off	Yes
Light distributor	Reflector
Reflector colour	Silver
Light outlet	Direct
Degree of protection (IP)	IP44
Rated ambient temperature according to IEC	-10 - 45 Degrees celsius
Colour of light	White
Colour rendering index CRI	90-100
Rated luminous flux according to IEC 62722-	600 Lumen
Colour of light adjustable	No
Beam angle adjustable	No
Built-in width	67 Millimetre
Built-in diameter	68 - 83 Millimetre
Number of poles	3
Connectable conductor cross section	0,75 - 2,5 Square millimetre
Luminaire efficacy	75 Lumen/Watt
Strain relief	Yes
Beam angle (°)	36
Rotate (°)	30
Operating temperature	-10°C ~ +45°C
Cut-out hole (Ø: mm)	68-83
Dimmable	Yes
Dimming range	1-100%
GTIN	7070938061407
HS Code	94051040



ENERGY
Scandinavian Lighting Concept
SLC1122

A B C D E **F** G

8 kWh/1000h

2019/2015