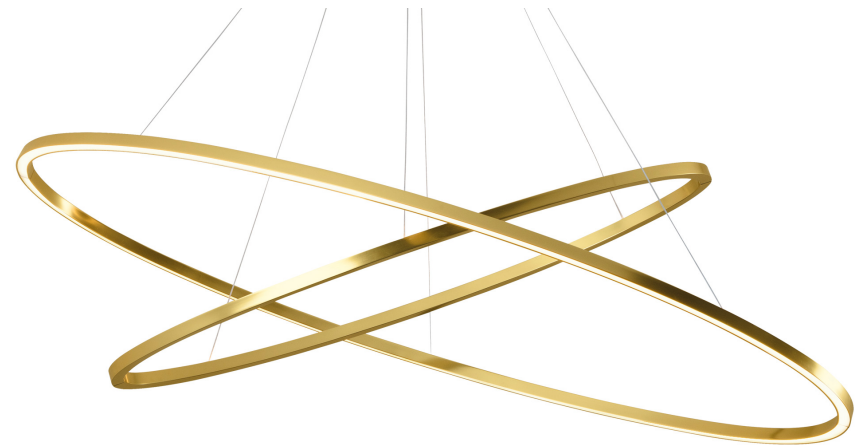


ELLISSE PENDANT DOUBLE

Federico Palazzari

Realised in various versions through an innovative technology developed by Nemo for coupling extrusions, Ellisse guarantees diffused direct and indirect lighting with the LED housed within the structure while remaining unobtrusive. The design is linear and contemporary, while an elegant black marble base becomes a pedestal for the floor version.



2700K

LAMPING

Source	linear LED
Total power	85W
Emission	diffused uplight (minor), diffused downlight (major)
Switching	dimmable 1-10V
Tension	110-240V
Color temperature	2700K
Luminous flux	2825+1850lm
Typ CRI	85
IP class	20
Materials	Aluminium
Notes	adjustable cable length from 2,5m to 0,4m, DALI version on request, TRIAC VERSION on request

Codes

ELP LW2 56
ELP LN2 56
ELP LO2 56
ELP LL2 56
ELP LGW 56

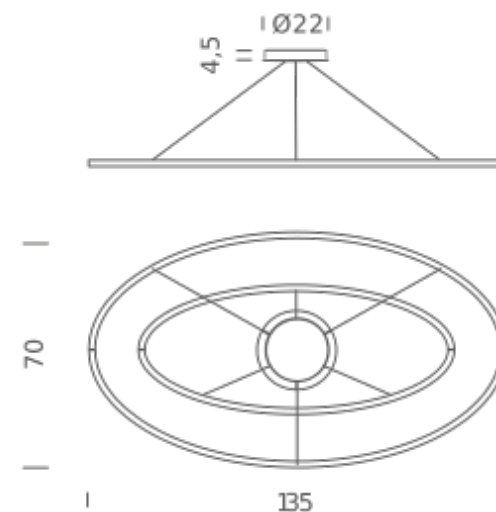
Structure

white
black
gold painted
polished aluminium
gold polished anodized

PACKAGE

Package 01 Dimension: 15x80x150 cm / Gross weight: 7,5 kg

Certificazioni



3000K

LAMPING

Source	linear LED
Total power	85W
Emission	diffused uplight (minor), diffused downlight (major)
Switching	dimmable 1-10V
Tension	110-240V
Color temperature	3000K
Luminous flux	2825+1850lm
Typ CRI	85
IP class	20
Materials	Aluminium
Notes	adjustable cable length from 2,5m to 0,4m, DALI version on request

Codes

ELP LWW 56
ELP LNW 56
ELP LOW 56
ELP LLW 56

Structure

white
black
gold painted
polished aluminium

PACKAGE

Package 01 Dimension: 15x80x150 cm / Gross weight: 7,5 kg

Certificazioni

