

UNTITLED TABLE/WALL LINEAR

Bernhard Osann

A definitive synthesis of mechanics and lighting technology, this design is clean and essential, with miniaturized joints that allow for extreme flexibility of movement. The Linear version has been designed explicitly with optics to ensure maximum visual comfort in work environments.



2700K

LAMPING

Source	linear LED
Total power	4,5W
Emission	direct
Switching	dimmable on board
Tension	110-240V
Color temperature led	2700K
Luminous flux led	485lm
Typ CRI	90
Ip class	20
Dimensions	56x46x10mm
Materials	aluminum, technopolymer
Notes	

Cable length 2m, 40° optic LED spot, 155° joint rotation.
Accessories (base, desk clamp, wall fixing) sold separately.
Black RAL 9005, white RAL 9003, titan grey RAL VL047, gold RAL VL054

Accessories	Desk clamp, Table base, Wall fixing,
Net lamp weight	1 kg

Codes

- UNT LNN 11
- UNT LWW 11
- UNT LDD 11
- UNT LGG 11

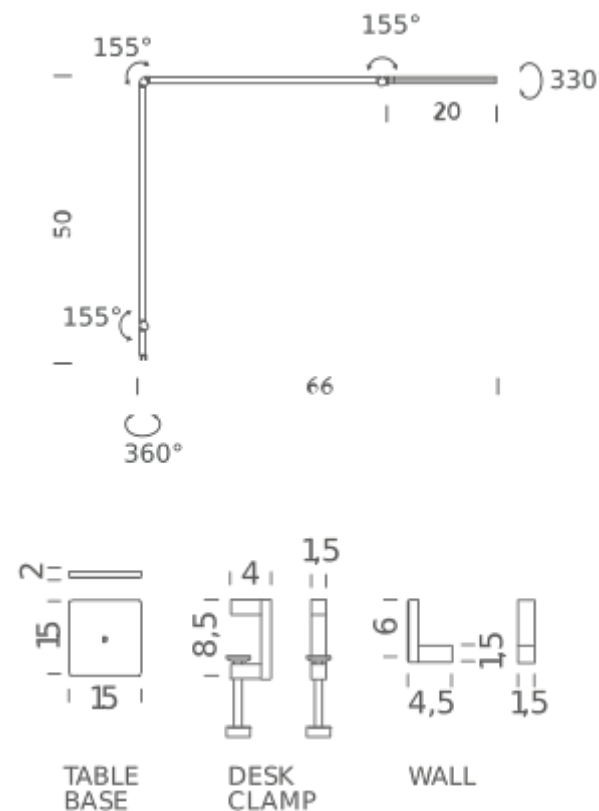
Structure

- black
- white
- titan grey
- gold

PACKAGE

Package 01	Dimension: 56x46x10 cm / Gross weight: 1,35 kg
------------	--

Certificazioni



3000K

LAMPING

Source	linear LED
Total power	4,5W
Emission	direct
Switching	dimmable on board
Tension	110-240V
Color temperature led	3000K
Luminous flux led	485lm
Typ CRI	90
Ip class	20
Dimensions	56x46x10mm
Materials	aluminum, technopolymer
Notes	

Cable length 2m, 40° optic LED spot, 155° joint rotation.
Accessories (base, desk clamp, wall fixing) sold separately.
Black RAL 9005, white RAL 9003, titan grey RAL VL047, gold RAL VL054

Accessories	Desk clamp, Table base, Wall fixing,
Net lamp weight	1 kg

Codes

- UNT LNN 13
- UNT LWW 13
- UNT LDD 13
- UNT LGG 13

Structure

- black
- white
- titan grey
- gold

PACKAGE

Package 01	Dimension: 56x46x10 cm / Gross weight: 1,35 kg
------------	--

Certificazioni

