

# UNTITLED TABLE/WALL LINEAR

*Bernhard Osann*

Family of table, floor and wall LED lamps in extruded matt black painted aluminum with joints for flexible and dynamic positioning of the light.

Available in the version with the linear lighting unit in polymer filled with glass fibers that rotates on itself and in the version with cylindrical spot light in aluminum. Dimmer on board located on the lamp stem.



# LED 2700K

## LAMPING

Source	LED board
Total power	7W
Emission	orientable
Switching	dimnable, on board
Tension	110/240V
Color temperature	2700K
Luminous flux	485lm
Typ CRI	90
Energy class	A+
Dimensions	56x46x10mm
Materials	aluminum, technopolymer
Notes	cable length 2m, accessories (base, desk clamp, wall fixing) sold separately
Accessories	Desk clamp,   Table base,   Wall fixing,
Net lamp weight	1 kg

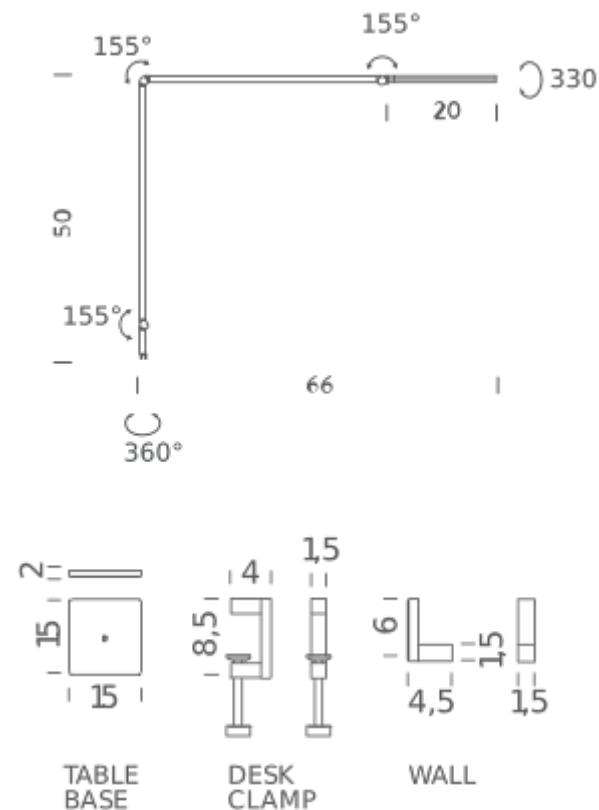
**Codes**  
UNT LNN 11

**Structure**  
black

## PACKAGE

Package 01      Dimension: 56x46x10 cm / Gross weight: 1,35 kg

## Certificazioni



# LED 3000K

## LAMPING

Source	LED board
Total power	7W
Emission	orientable
Switching	dimnable, on board
Tension	110/240V
Color temperature	3000K
Luminous flux	485lm
Typ CRI	90
Energy class	A+
Dimensions	56x46x10mm
Materials	aluminum, technopolymer
Notes	cable length 2m, accessories (base, desk clamp, wall fixing) sold separately
Accessories	Desk clamp,   Table base,   Wall fixing,
Net lamp weight	1 kg

## Codes

UNT LNN 13

## Structure

black

## PACKAGE

Package 01

Dimension: 56x46x10 cm / Gross weight: 1,35 kg

## Certificazioni

