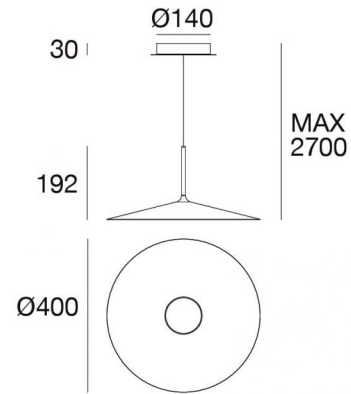
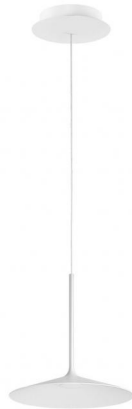


# Poe Plus



Pendant Luminaires | 220-240 V  
36 topLED 12 W DC - 15 W AC | CRI 90  
**8360**



Technical data	
Construction year	2018
Type	Pendant Luminaires
Installation position	Ceiling
Installation environment	Indoor
Light Source	LED
Total Power	15 W
Source lumens	1623 lm
Voltage	220 - 240 V AC
Frequency	60 - 50 Hz
CCT / Tone	3000 K
Colour rendering index	90 Ra
C.C. / C.V.	AC
Safety class	1
IP	IP20
Glow wire test	850°
Direct mounting on normally flammable surfaces	No
CE	Yes
Driver included	Driver
Dimmable article	No
Directional	No
Tilting	No
Walk-over	No
Drive-over	No
Cable included	Yes
Cable length	2.7 m
Resin potting	No
Type of light emission	Single emission
Net weight	1.65 Kg
Electrostatic discharge protection	No
Surge protection	No

Finishing casing	
Material	Iron
Colour	Embossed white RAL 9003
Processing	Coating

Finishing diffuser	
Material	UV Resistant Polycarbonate
Colour	opaline
Processing	Sandblasting

Finishing mounting frame	
Material	Iron
Colour	Embossed white RAL 9003
Processing	Coating



Pendant Luminaires | 220-240 V | 36 topLED 12 W DC - 15 W AC | CRI 90 | Base 8360

Single emission pendant luminaires for indoor application. The warm white LED light source with a diffused light distribution is composed of 36 topped LEDs with CCT of 3000 K and a CRI 90; the source luminous flux is 1623 lm, with a 135.3 lm/W nominal luminous efficacy.

The device body is made of iron and features a embossed white ral 9003 finish, processed by means of coating; the diffuser is made of uv resistant polycarbonate with a sandblasting treatment; the mounting frame is made of iron, with a embossed white ral 9003 finish, processed by means of coating. The ingress protection degree is IP20; the total weight is of 1.65 kg.

The total absorbed power is 15 W. The power supply cable is included and features a 2.7 m length.

The device features protection class I and can be ceiling-mounted.

Compliant with the EN 60598-1 standard and its specific provisions.

### Energy efficiency class

This product contains a light source of energy efficiency class E.

### Illuminotechnical Features

Light Output Ratio (LOR)	91 %
Source lumens	1623 lm
Delivered lumens	1484 lm
Consumption	15 W
Luminaire efficacy	98 lm/W
Colour temperature	3000 K
Standard Deviation of Colour Matching	3 Step MacAdam
Colour rendering index	90 Ra
Junction temperature (lighting fixture)	80

Standard Operating Ambient Temperature 25°C

### LED Life / Failure Ratio

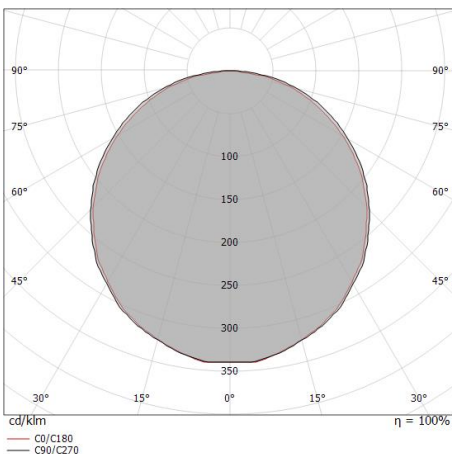
L70 B20 C0 72500h (at Tj 115 Ta 25)

### UGR

UGR axial	28.1
UGR transversal	27.7
X=4H   Y=8H	S=0.25H
Reflection factor	70/50/20

### OPTICAL

C0/C180 optics	113°
Light distribution simmetry	Symmetrical



Distance [m]	Cone diameter [m]	illuminance [lx]
0.5	1.59 1.50	E(0°) 2013 E(C90) 153 E(C0) 173
1.0	3.18 3.00	E(0°) 503 E(C90) 38 E(C0) 43
1.5	4.76 4.50	E(0°) 224 E(C90) 17 E(C0) 19
2.0	6.35 6.00	E(0°) 126 E(C90) 10 E(C0) 11
2.5	7.94 7.50	E(0°) 81 E(C90) 6 E(C0) 7
3.0	9.53 9.00	E(0°) 56 E(C90) 4 E(C0) 5

Distance [m] Cone diameter [m] illuminance [lx]

— C0/C180 (Half-peak divergence: 112.6°)  
- - C90/C270 (Half-peak divergence: 115.6°)