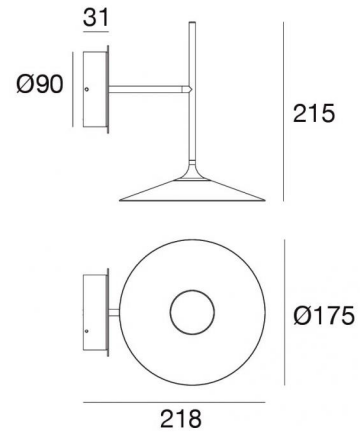




Wall Lights | 220-240 V | 1 topLED 6 W DC - 7 W AC | CRI 90
8500



Technical data	
Construction year	2018
Type	Wall Lights
Installation position	Wall lights
Installation environment	Indoor
Light Source	LED
Total Power	7 W
Source lumens	740 lm
Voltage	220 - 240 V AC
Frequency	60 - 50 Hz
CCT / Tone	3000 K
Colour rendering index	90 Ra
C.C. / C.V.	AC
Safety class	1
IP	IP20
Glow wire test	850°
Direct mounting on normally flammable surfaces	No
CE	Yes
Driver included	Driver
Dimmable article	No
Directional	No
Tilting	No
Walk-over	No
Drive-over	No
Cable included	No
Resin potting	No
Type of light emission	Single emission
Net weight	0.74 Kg
Electrostatic discharge protection	No
Surge protection	No

Finishing casing

Material	Iron
Colour	Embossed white RAL 9003
Processing	Powder coating

Finishing diffuser

Material	UV Resistant Polycarbonate
Colour	opaline
Processing	Sandblasting

Finishing mounting frame

Material	Iron
Colour	Embossed white RAL 9003
Processing	Powder coating



Wall Lights | 220-240 V | 1 topLED 6 W DC - 7 W AC | CRI 90 | Base 8500

Single emission wall lights for indoor application. The warm white LED light source with a diffused light distribution is composed of 1 topped LEDs with CCT of 3000 K and a CRI 90; the source luminous flux is 740 lm, with a 123.3 lm/W nominal luminous efficacy.

The device body is made of iron and features a embossed white ral 9003 finish, processed by means of powder coating; the diffuser is made of uv resistant polycarbonate with a sandblasting treatment; the mounting frame is made of iron, with a embossed white ral 9003 finish, processed by means of powder coating. The ingress protection degree is IP20; the total weight is of 0.74 kg.

The total absorbed power is 7 W.

The device features protection class I and can be wall lights-mounted.

Compliant with the EN 60598-1 standard and its specific provisions.

Energy efficiency class

This product contains a light source of energy efficiency class E.

Illuminotechnical Features

Light Output Ratio (LOR)	72 %
Source lumens	740 lm
Delivered lumens	536 lm
Consumption	7 W
Luminaire efficacy	76 lm/W
Colour temperature	3000 K
Standard Deviation of Colour Matching	3 Step MacAdam
Colour rendering index	90 Ra
Junction temperature (lighting fixture)	80

Standard Operating Ambient Temperature 25°C

LED Life / Failure Ratio

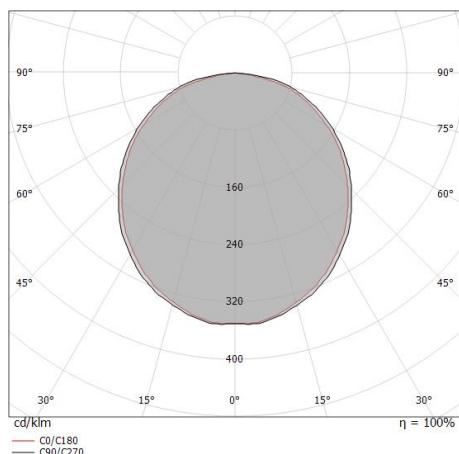
L70 B20 C0 72500h

UGR

UGR axial	28.9
UGR transversal	28.3
X=4H Y=8H	S=0.25H
Reflection factor	70/50/20

OPTICAL

C0/C180 optics	110°
Light distribution simmetry	Symmetrical



Distance [m]	Cone diameter [m]	Illuminance [lx]
0.5	1.50 1.42	E(0°) 752 E(C90) 65 E(C0) 72
1.0	3.00 2.84	E(0°) 188 E(C90) 16 E(C0) 18
1.5	4.50 4.25	E(0°) 84 E(C90) 7 E(C0) 8
2.0	6.00 5.67	E(0°) 47 E(C90) 4 E(C0) 5
2.5	7.50 7.09	E(0°) 30 E(C90) 3 E(C0) 3
3.0	9.00 8.51	E(0°) 21 E(C90) 2 E(C0) 2

Distance [m] Cone diameter [m] Illuminance [lx]

— C0/C180 (Half-peak divergence: 109.6°)
— C90/C270 (Half-peak divergence: 112.6°)