

BALANCE

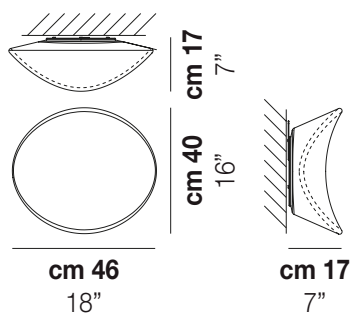
Design Pio e Tito Toso

BALANCE PL M

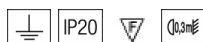


Inspired by the elliptic orbit of a planet around the sun, a motion that is created by the harmony and balance of unseen forces represented with the glass and the light. Available in three dimensions as suspension and ceiling.

BALANCE PL M



TECHNICAL DATA:



CERTIFICATIONS:



LIGHT SOURCES

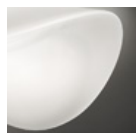
| LED Source | Power | Voltage | Frequency | Beam Angle | Light Output |
|----------------|-----------|----------|-----------|------------|-----------------------------------------------|
| 2x77W | 220-240 V | 50/60 Hz | E27 | | Led 2700 K 19 W 39 V 2850 lm DIM2 Phase Cut |
| LED 2700K DIM2 | 1x19 W | 39 V | | | Led 3000 K 19 W 39 V 2850 lm DIM2 Phase Cut |
| LED 3000K DIM2 | 1x19 W | 39 V | | | Led 3000 K 19 W 39 V 2850 lm DIM3 0-10V, Push |
| LED 3000K DIM3 | 1x19 W | 39 V | | | |

| | |
|--------------|--------|
| VOLUME | Mc 0,1 |
| GROSS WEIGHT | Kg 6,5 |
| NET WEIGHT | Kg 4 |

download



SHADE FINISHING



BCLU

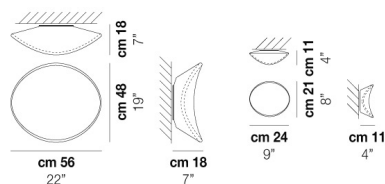
FRAME FINISHING



BC

OTHER VERSION AVAILABLE

Click on the version to go to the web version of the product



BALAN PP G

BALAN PP 24