

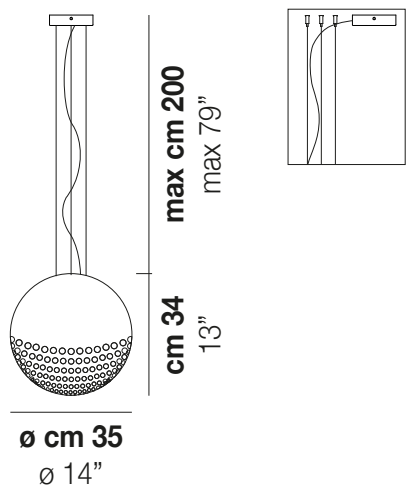
## BOLLE

Design Barbara Maggiolo

## BOLLE SP 35

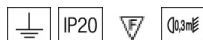


The main characteristic of this collection of lamps produced with the baloton technique is the insertion of bubbles of air in the glass during its production, that create multiple reflections and add an organic texture on the surface of the sphere.



## BOLLE SP 35

### TECHNICAL DATA:



### CERTIFICATIONS:



### LIGHT SOURCES

1x77W 220-240 V E27  
50/60 Hz

VOLUME Mc 0,1  
GROSS WEIGHT Kg 9  
NET WEIGHT Kg 7

[download](#)



### SHADE FINISHING



BCBO

CRBO

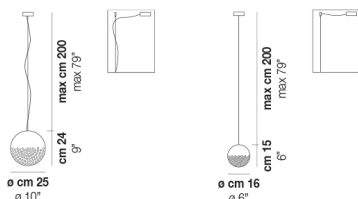
### FRAME FINISHING



NI

### OTHER VERSION AVAILABLE

Click on the version to go to the web version of the product



[BOLLE SP G](#)

[BOLLE SP P](#)