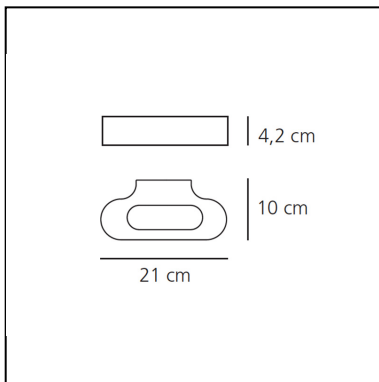


Talo Wall - 3000K - White

Neil Poulton



IP20     Dimmerable: 



LUMINAIRE

- Watt: **20W**
- Voltage: **220-240V**
- Delivered lumen output: **1991lm**
- CCT: **3000K**
- Efficiency: **88%**
- Efficacy: **99.55lm/W**
- CRI: **90**
- Dimmable Typology: **Push**

DESCRIPTION

Essential and functional, its geometric shape is designed to accommodate various light sources and LED circuits of various power ratings, extending to distribute diverse sources and the light emission and support various lighting requirements.

FEATURES

- Product Code: **0615010A**
- Colour: **White**
- Installation: **Wall**
- Material: **Aluminium, methacrylate, polycarbonate**
- Series: **Design Collection**
- Environment: **Indoor**
- Area contract: **Hospitality**
- Emission: **Direct/indirect**
- design by: **Neil Poulton**

DIMENSIONS

- Length: **210 mm**
- Width: **100 mm**
- Height: **42 mm**
- Glow Wire Test: **750°C**

SOURCES INCLUDED

- Category: **Led**
- Number: **1**
- Watt: **20W**
- Delivered lumen output: **1500lm**
- Color temperature (K): **3000K**