

GRAVITY

GRAVITY is the new magnetic system of FLEX collection. A versatile and distinctive galaxy of graphic elements capable of enhancing any environment and providing a focal lighting effect. Installed magnetically with a mechanical extra security feature. Offered for trimless, ceiling and pendant mounting, linear units use a 48V power supply and allow the integration of multiple solutions, installed through magnetic and mechanical fixing, meeting different interior needs. Adjustable spots emphasise any setting due to maximum flexibility and the anti-glare retracted lens for accent or diffuse lighting. Linear modules are proposed with an opal screen for homogeneous and welcoming lighting. For high visual comfort and optimal glare control over the entire surface, the system is completed by UGR<19 units: recessed or fold, respectively for direct or adjustable light emission. GRAVITY can be installed individually or in multiple configurations, creating geometric figures with 90° angles.



SPOT 3W | 2700K - 38°

LAMPING

Source	LED
Total power	3W
Emission	orientable
Switching	DALI
Tension	48V
Color temperature	2700K
Luminous flux	175lm
Typ CRI	90
IP class	20
Dimensions	ø2,5x18,4x10,6
Materials	Aluminium + polycarbonate
Notes	driver, track and accessories not included
Net lamp weight	0,1 kg

Codes

MFLE5201746DAN

Structure

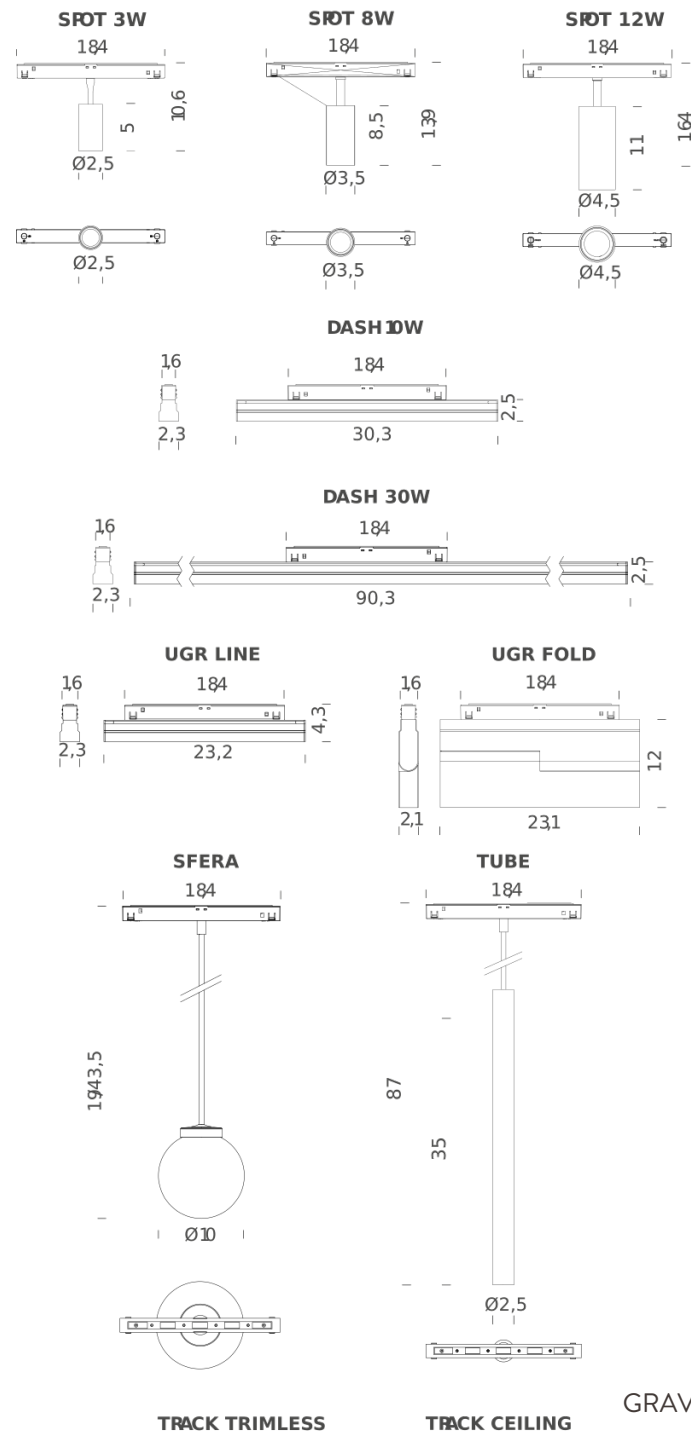
black

PACKAGE

Package 01

Dimension: 20x9x5,5 cm / Gross weight: 0,15 kg

Certificazioni



SPOT 3W | 3000K - 38°

LAMPING

Source	LED
Total power	3W
Emission	orientable
Switching	DALI
Tension	48V
Color temperature	3000K
Luminous flux	205lm
Typ CRI	90
IP class	20
Dimensions	ø2,5x18,4x10,6
Materials	Aluminium + polycarbonate
Notes	driver, track and accessories not included
Net lamp weight	0,1 kg

Codes

MFLE5201746WAN

Structure

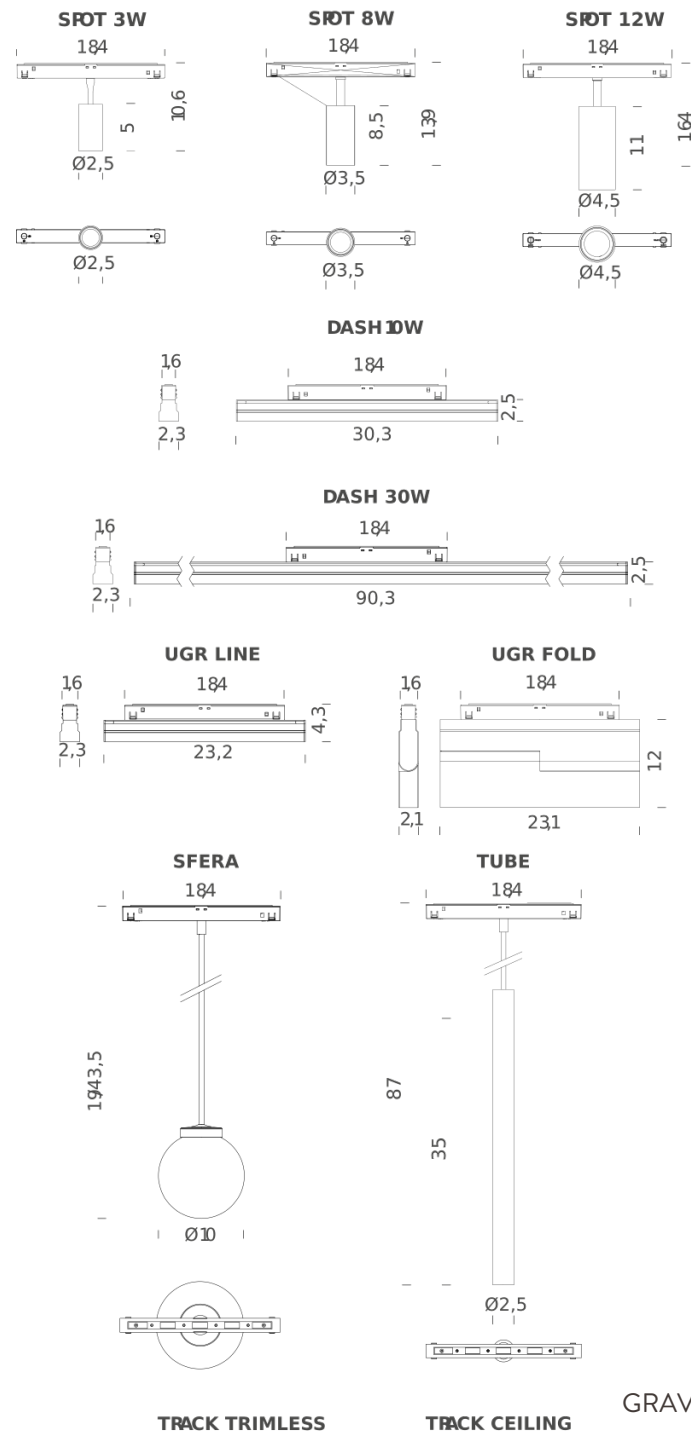
black

PACKAGE

Package 01

Dimension: 20x9x5,5 cm / Gross weight: 0,15 kg

Certificazioni



SPOT 8W | 2700K - 15°

LAMPING

Source	LED
Total power	8W
Emission	orientable
Switching	DALI
Tension	48V
Color temperature	2700K
Luminous flux	500lm
Typ CRI	90
IP class	20
Dimensions	ø3,5x18,4x13,9
Materials	Aluminium + polycarbonate
Notes	driver, track and accessories not included
Net lamp weight	0,15 kg

Codes

MFLE5201344DAN

Structure

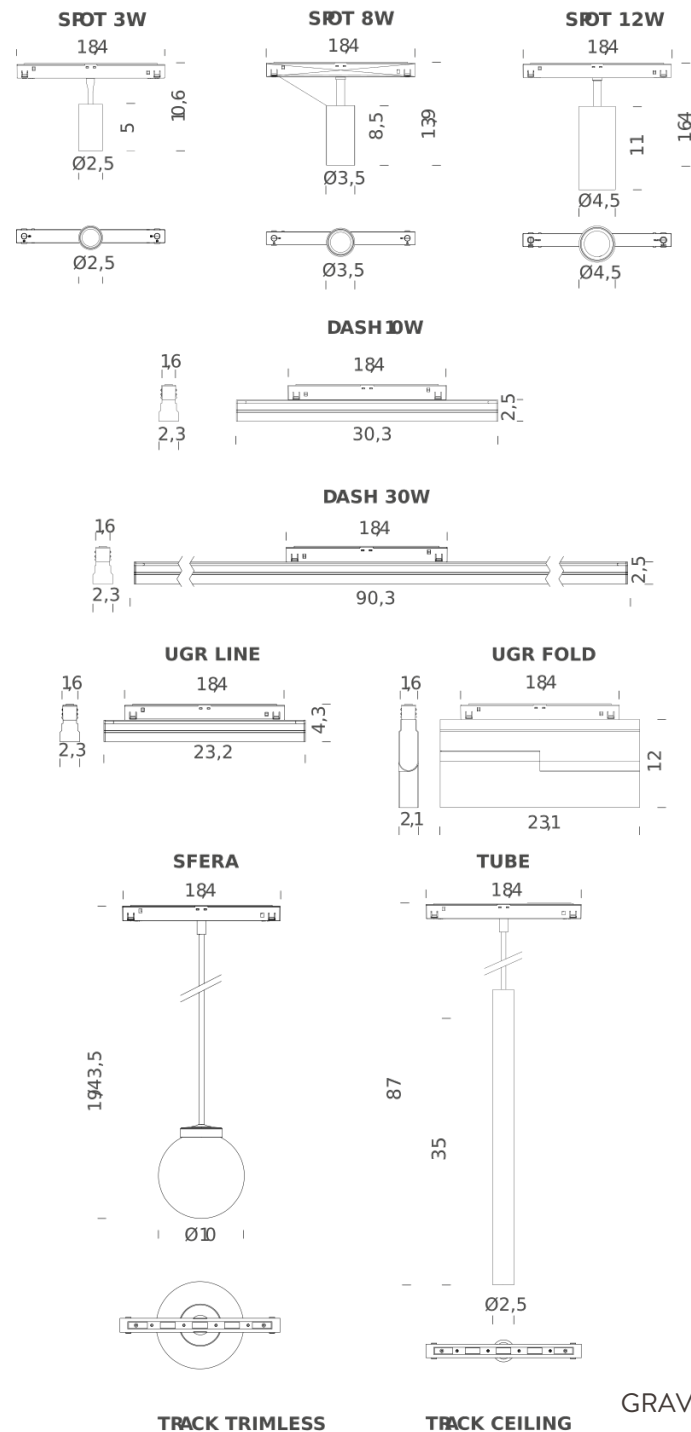
black

PACKAGE

Package 01

Dimension: 20,5x14,5x7,5 cm / Gross weight: 0,25 kg

Certificazioni



SPOT 8W | 2700K - 38°

LAMPING

Source	LED
Total power	8W
Emission	orientable
Switching	DALI
Tension	48V
Color temperature	2700K
Luminous flux	630lm
Typ CRI	90
IP class	20
Dimensions	ø3,5x18,4x13,9
Materials	Aluminium + polycarbonate
Notes	driver, track and accessories not included
Net lamp weight	0,15 kg

Codes

MFLE5201744DAN

Structure

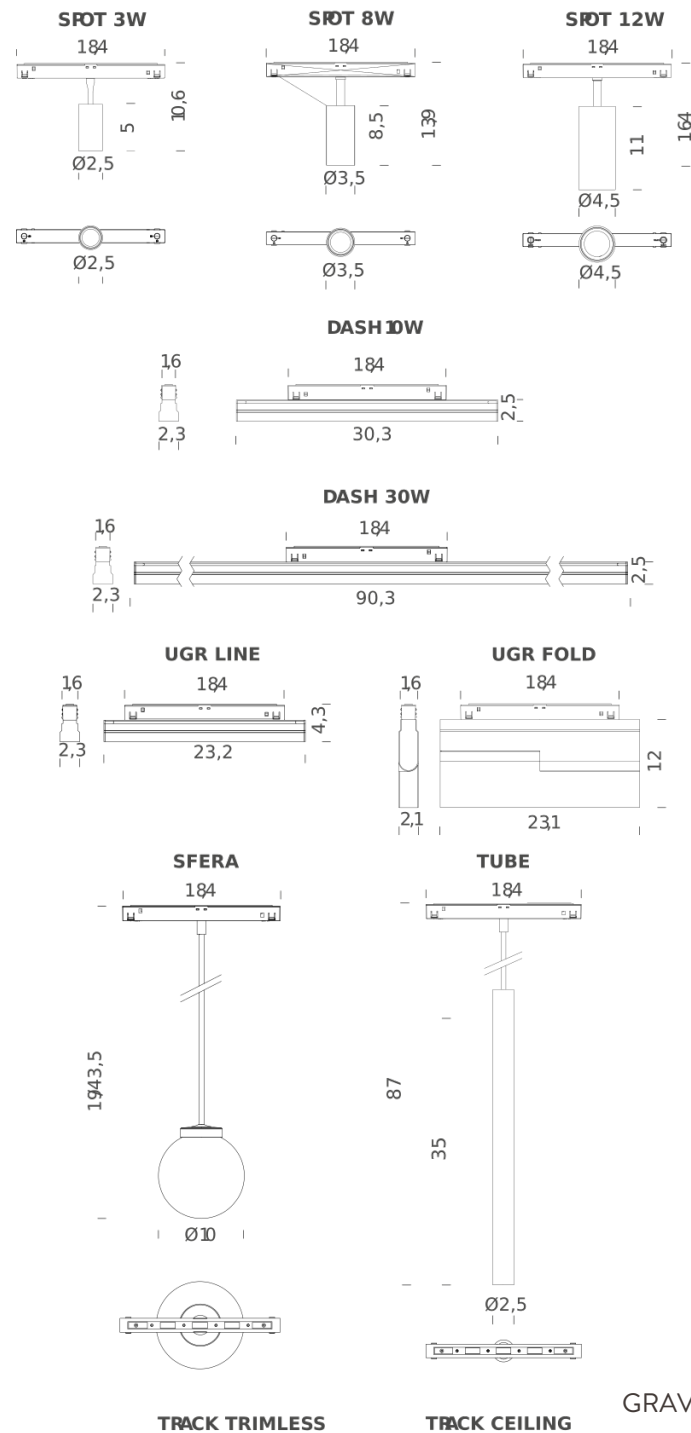
black

PACKAGE

Package 01

Dimension: 20,5x14,5x7,5 cm / Gross weight: 0,25 kg

Certificazioni



SPOT 8W | 3000K - 15°

LAMPING

Source	LED
Total power	8W
Emission	orientable
Switching	DALI
Tension	48V
Color temperature	3000K
Luminous flux	520lm
Typ CRI	90
IP class	20
Dimensions	ø3,5x18,4x13,9
Materials	Aluminium + polycarbonate
Notes	driver, track and accessories not included
Net lamp weight	0,15 kg

Codes

MFLE5201344WAN

Structure

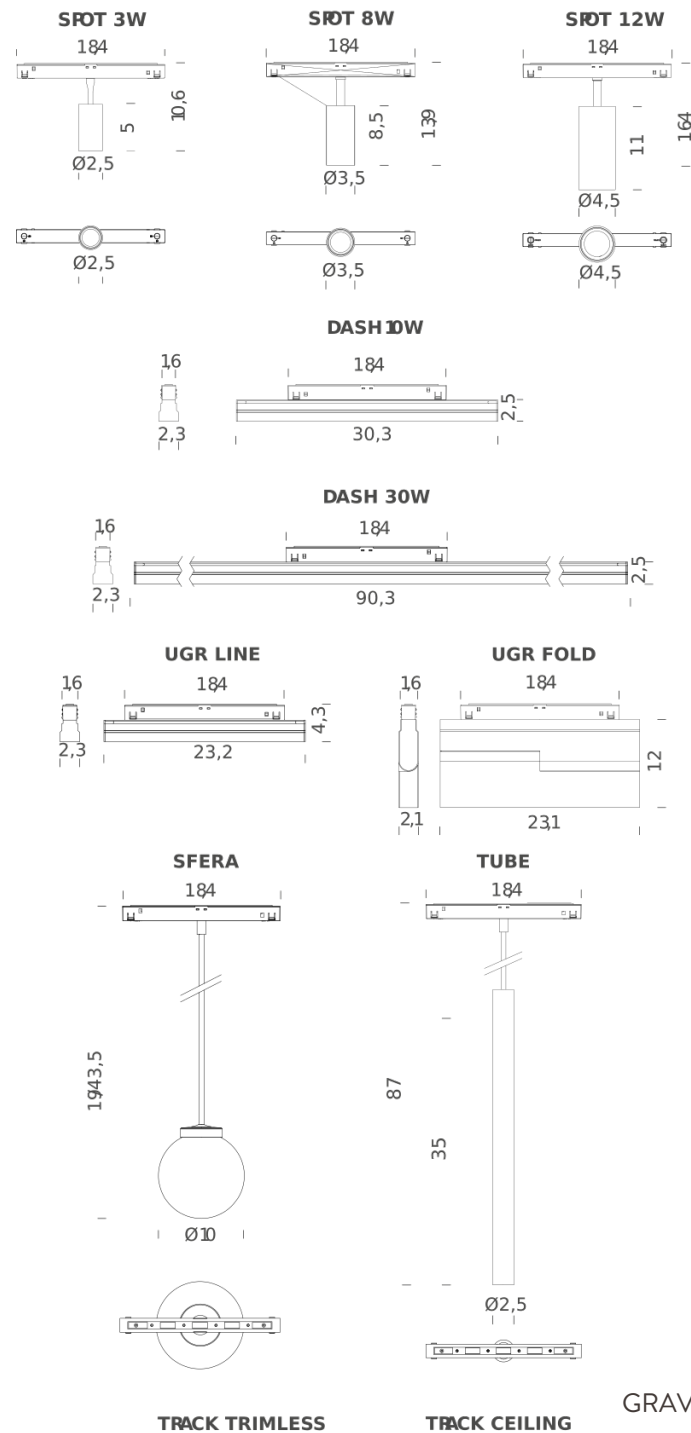
black

PACKAGE

Package 01

Dimension: 20,5x14,5x7,5 cm / Gross weight: 0,25 kg

Certificazioni



SPOT 8W | 3000K - 38°

LAMPING

Source	LED
Total power	8W
Emission	orientable
Switching	DALI
Tension	48V
Color temperature	3000K
Luminous flux	665lm
Typ CRI	90
IP class	20
Dimensions	ø3,5x18,4x13,9
Materials	Aluminium + polycarbonate
Notes	driver, track and accessories not included
Net lamp weight	0,15 kg

Codes

MFLE5201744WAN

Structure

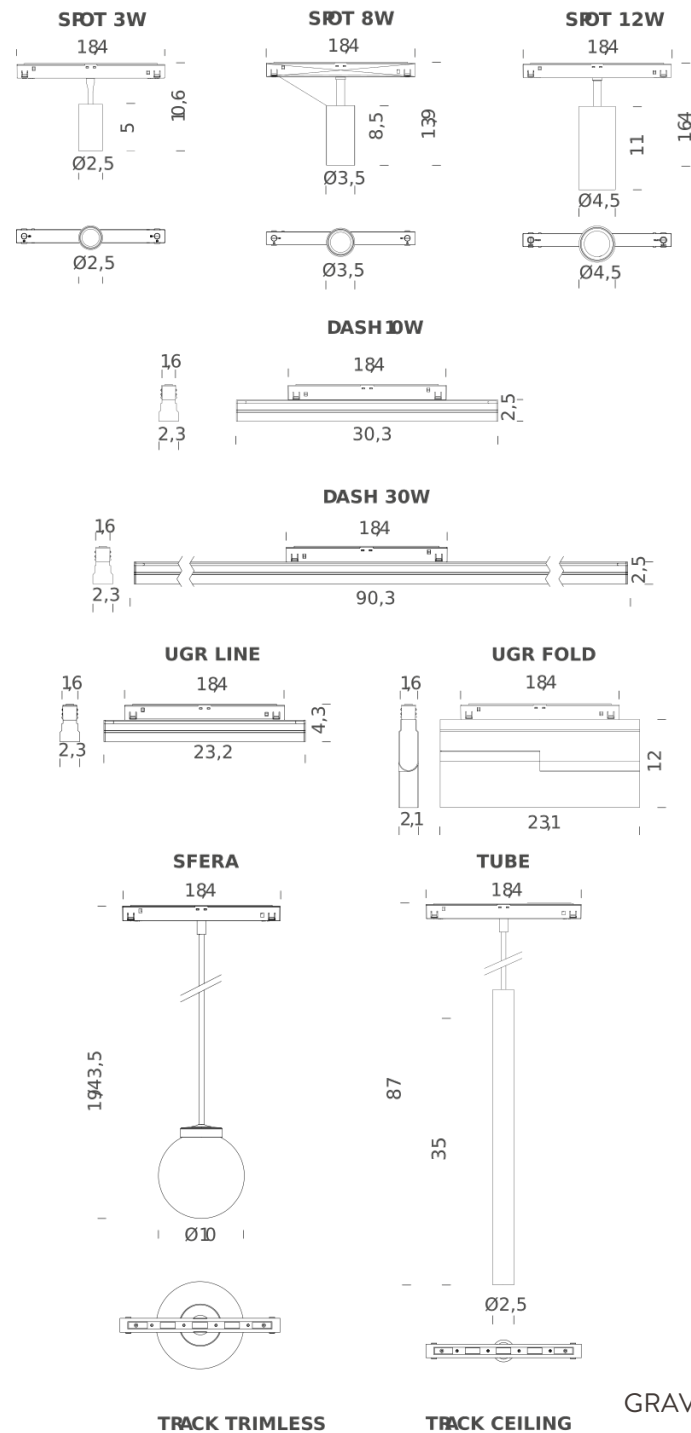
black

PACKAGE

Package 01

Dimension: 20,5x14,5x7,5 cm / Gross weight: 0,25 kg

Certificazioni



SPOT 12W | 2700K - 15°

LAMPING

Source	LED
Total power	12W
Emission	orientable
Switching	DALI
Tension	48V
Color temperature	2700K
Luminous flux	900lm
Typ CRI	90
IP class	20
Dimensions	ø4,5x18,4x16,4
Materials	Aluminium + polycarbonate
Notes	driver, track and accessories not included
Net lamp weight	0,23 kg

Codes

MFLE5201345DAN

Structure

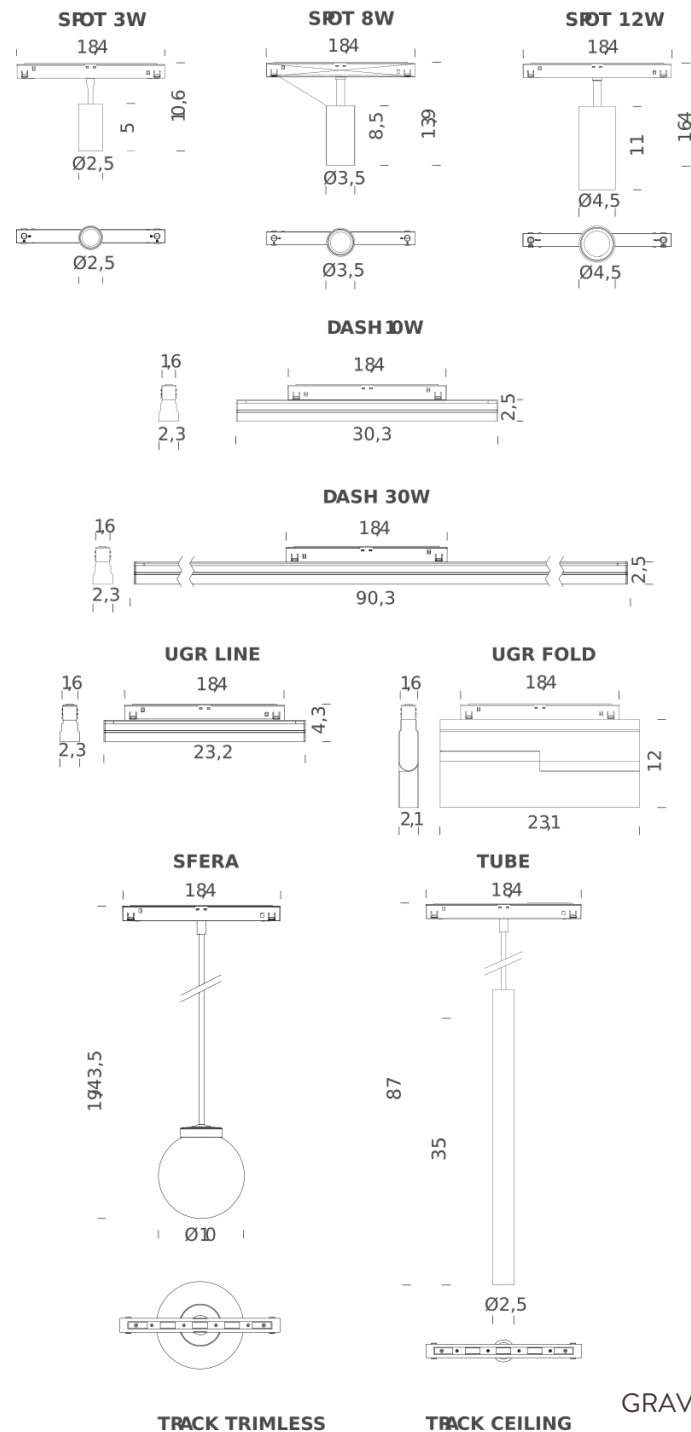
black

PACKAGE

Package 01

Dimension: 25,5x19,5x7,5 cm / Gross weight: 0,41 kg

Certificazioni



SPOT 12W | 2700K - 38°

LAMPING

Source	LED
Total power	12W
Emission	orientable
Switching	DALI
Tension	48V
Color temperature	2700K
Luminous flux	890lm
Typ CRI	90
IP class	20
Dimensions	ø4,5x18,4x16,4
Materials	Aluminium + polycarbonate
Notes	driver, track and accessories not included
Net lamp weight	0,23 kg

Codes

MFLE5201745DAN

Structure

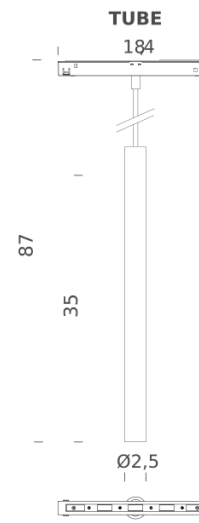
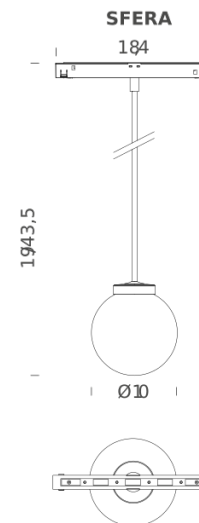
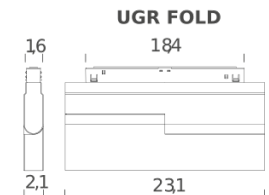
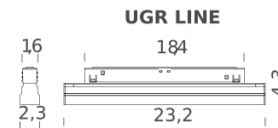
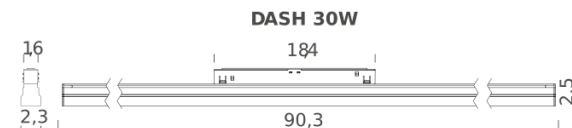
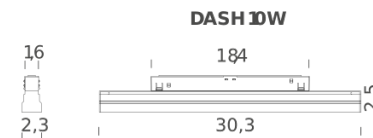
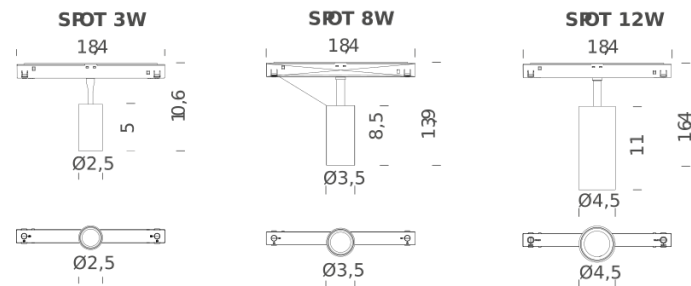
black

PACKAGE

Package 01

Dimension: 25,5x19,5x7,5 cm / Gross weight: 0,41 kg

Certificazioni



TRACK TRIMLESS

TRACK CEILING

SPOT 12W | 3000K - 15°

LAMPING

Source	LED
Total power	12W
Emission	orientable
Switching	DALI
Tension	48V
Color temperature	3000K
Luminous flux	965lm
Typ CRI	90
IP class	20
Dimensions	ø4,5x18,4x16,4
Materials	Aluminium + polycarbonate
Notes	driver, track and accessories not included
Net lamp weight	0,23x kg

Codes

MFLE5201345WAN

Structure

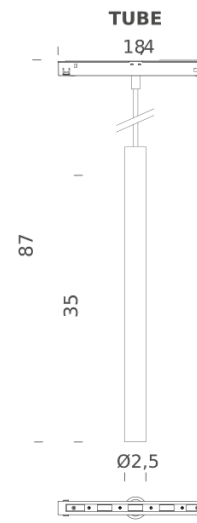
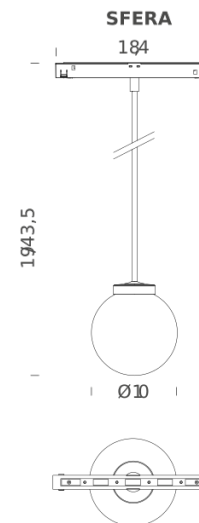
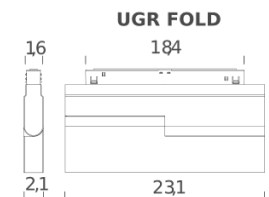
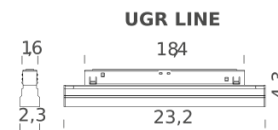
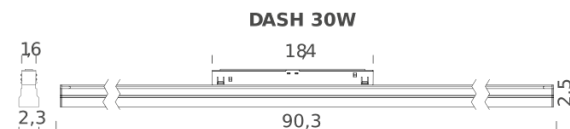
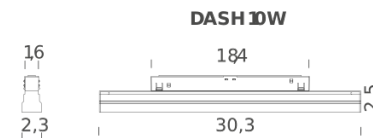
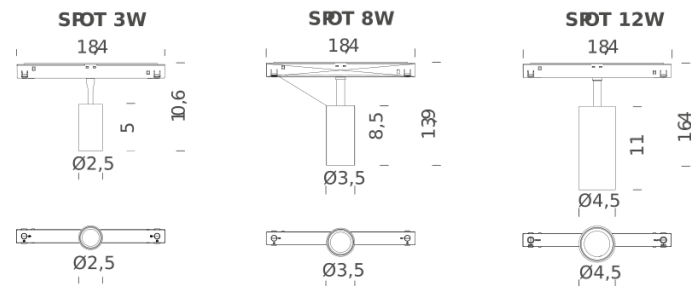
black

PACKAGE

Package 01

Dimension: 25,5x19,5x7,5 cm / Gross weight: 0,41 kg

Certificazioni



TRACK TRIMLESS

TRACK CEILING

SPOT 12W | 3000K - 38°

LAMPING

Source	LED
Total power	12W
Emission	orientable
Switching	DALI
Tension	48V
Color temperature	3000K
Luminous flux	930lm
Typ CRI	90
IP class	20
Dimensions	ø4,5x18,4x16,4
Materials	Aluminium + polycarbonate
Notes	driver, track and accessories not included
Net lamp weight	0,23 kg

Codes

MFLE5201745WAN

Structure

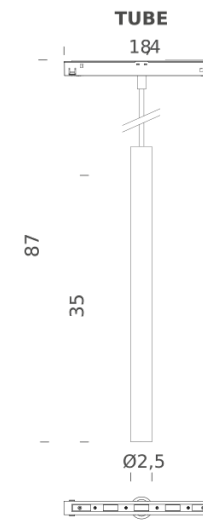
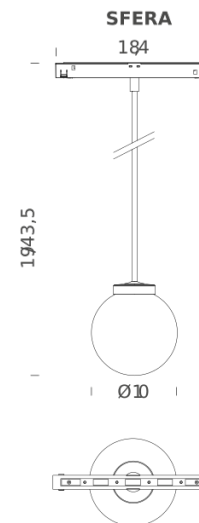
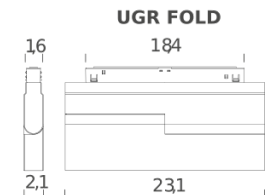
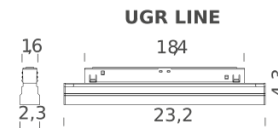
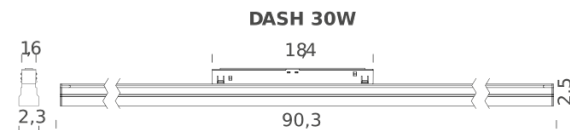
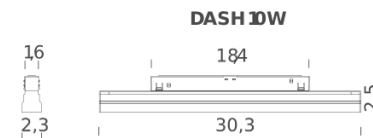
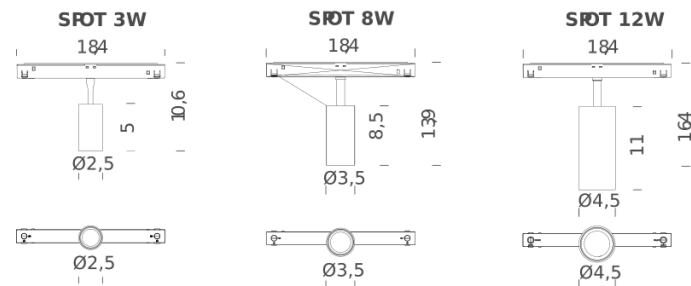
black

PACKAGE

Package 01

Dimension: 25,5x19,5x7,5 cm / Gross weight: 0,41 kg

Certificazioni



TRACK TRIMLESS

TRACK CEILING

UGR LINE | 2700K

LAMPING

Source	LED
Total power	15W
Emission	direct UGR<19
Switching	DALI
Tension	48V
Color temperature	2700K
Luminous flux	1135lm
Typ CRI	90
IP class	20
Dimensions	23,2x4,3x18,4
Materials	Aluminium + polycarbonate
Notes	driver, track and accessories not included
Net lamp weight	0,15 kg

Codes

MFLE5302U48DAN

Structure

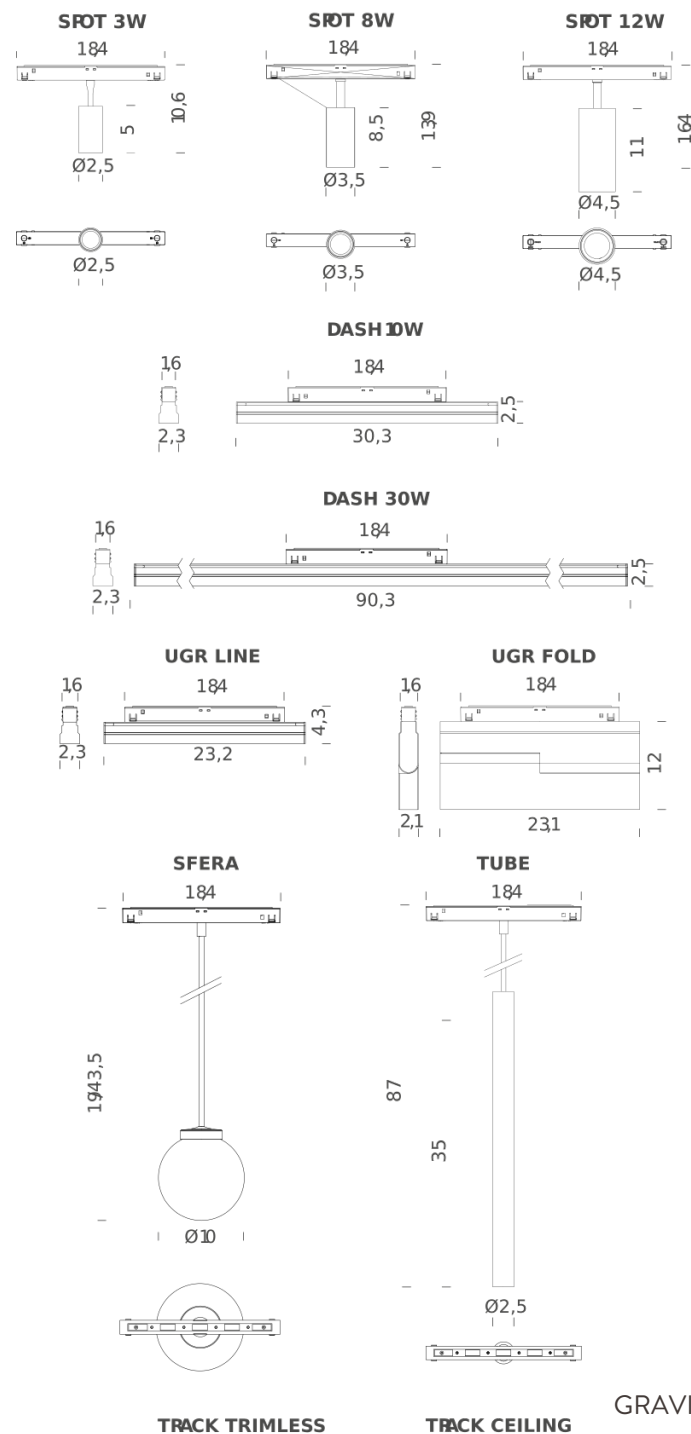
black

PACKAGE

Package 01

Dimension: 25x6,5x4,5 cm / Gross weight: 0,2 kg

Certificazioni



UGR LINE | 3000K

LAMPING

Source	LED
Total power	15W
Emission	direct UGR<19
Switching	DALI
Tension	48V
Color temperature	3000K
Luminous flux	1320lm
Typ CRI	90
IP class	20
Dimensions	23,2x4,3x18,4
Materials	Aluminium + polycarbonate
Notes	driver, track and accessories not included
Net lamp weight	0,15 kg

Codes

MFLE5302U48WAN

Structure

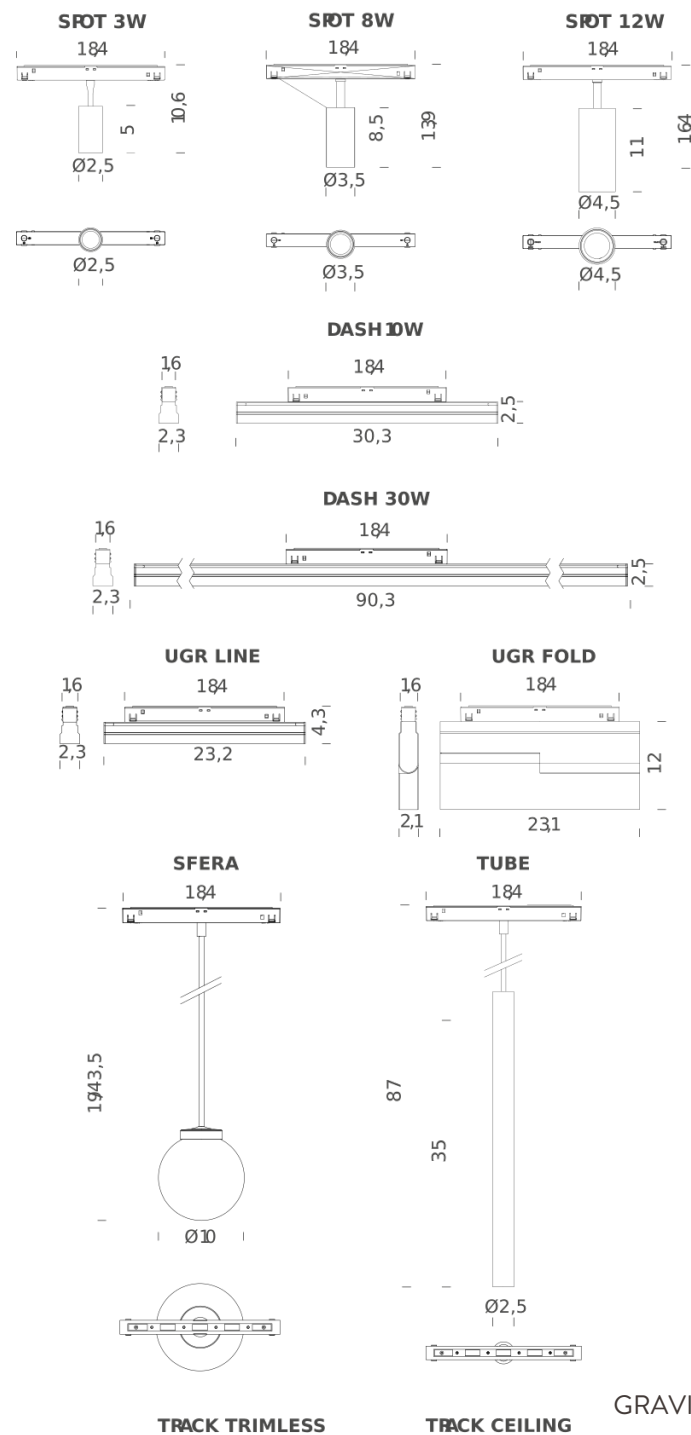
black

PACKAGE

Package 01

Dimension: 25x6,5x4,5 cm / Gross weight: 0,2 kg

Certificazioni



UGR FOLD | 2700K

LAMPING

Source	LED
Total power	15W
Emission	orientable UGR<19
Switching	DALI
Tension	48V
Color temperature	2700K
Luminous flux	1560lm
Typ CRI	90
IP class	20
Dimensions	23,1x12x18,4
Materials	Aluminium + polycarbonate
Notes	driver, track and accessories not included
Customization options	asymmetric optic
Net lamp weight	0,5 kg

Codes

MFLE5202T48DAN

Structure

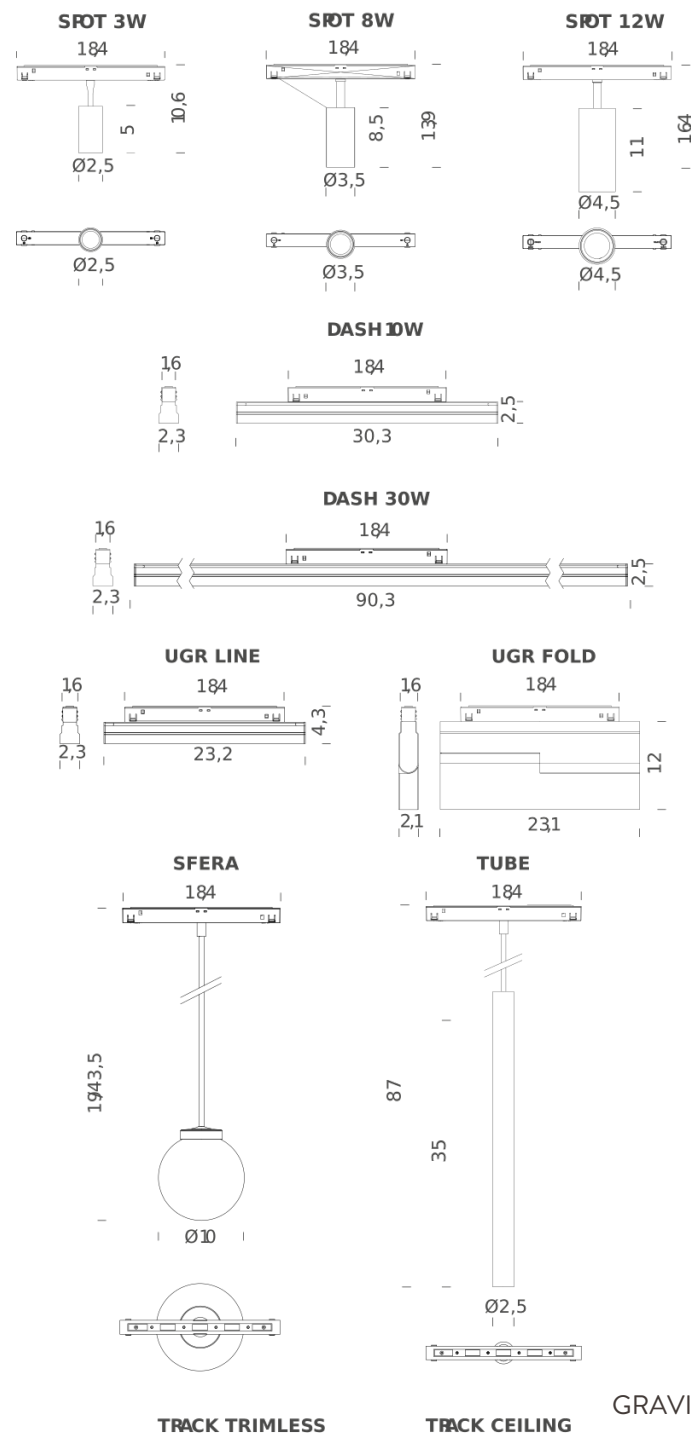
black

PACKAGE

Package 01

Dimension: 29x15x4,5 cm / Gross weight: 0,65 kg

Certificazioni



UGR FOLD | 3000K

LAMPING

Source	LED
Total power	15W
Emission	orientable UGR<19
Switching	DALI
Tension	48V
Color temperature	3000K
Luminous flux	1610lm
Typ CRI	90
IP class	20
Dimensions	23,1x12x18,4
Materials	Aluminium + polycarbonate
Notes	driver, track and accessories not included
Customization options	asymmetric optic
Net lamp weight	0,5 kg

Codes

MFLE5202T48WAN

Structure

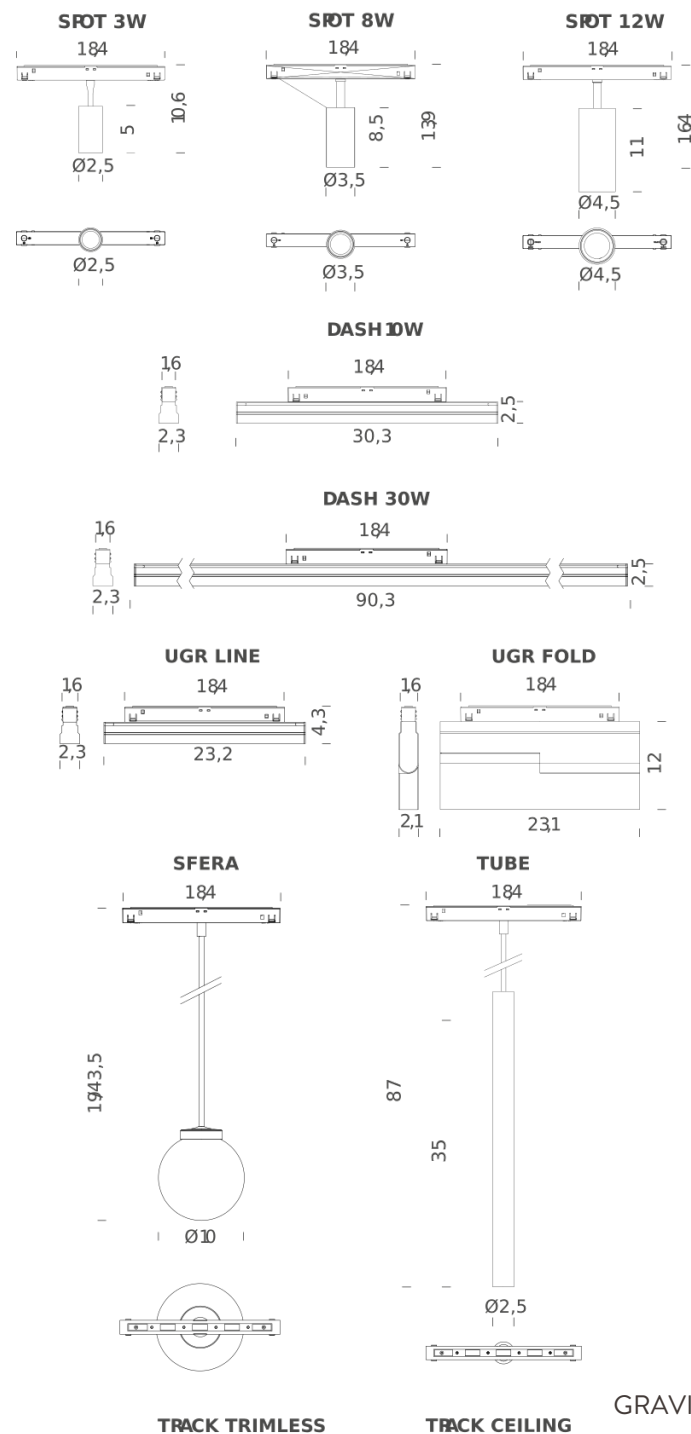
black

PACKAGE

Package 01

Dimension: 29x15x4,5 cm / Gross weight: 0,65 kg

Certificazioni



DASH 10W | 2700K

LAMPING

Source	Linear LED
Total power	10W
Emission	diffused
Switching	DALI
Tension	48V
Color temperature	2700K
Luminous flux	510lm
Typ CRI	90
IP class	20
Dimensions	30,3x2,3x2,5
Materials	Aluminium + polycarbonate
Notes	driver, track and accessories not included
Net lamp weight	0,16 kg

Codes

MFLE5303G47DAN

Structure

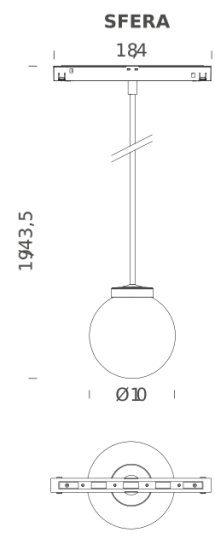
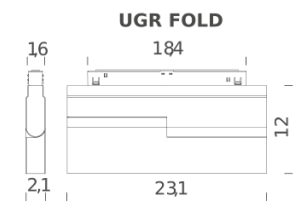
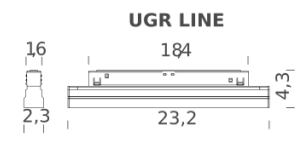
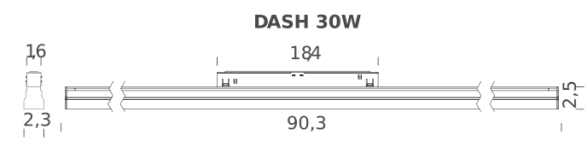
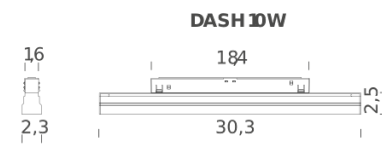
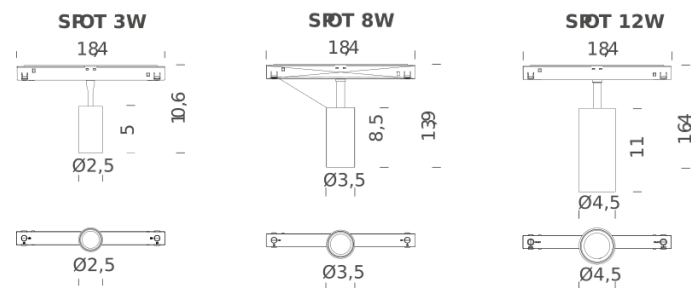
black

PACKAGE

Package 01

Dimension: 32x6,5x4,5 cm / Gross weight: 0,2 kg

Certificazioni



TRACK TRIMLESS

TRACK CEILING

DASH 10W | 3000K

LAMPING

Source	Linear LED
Total power	10W
Emission	diffused
Switching	DALI
Tension	48V
Color temperature	3000K
Luminous flux	515lm
Typ CRI	90
IP class	20
Dimensions	30,3x2,3x2,5
Materials	Aluminium + polycarbonate
Notes	driver, track and accessories not included
Net lamp weight	0,16 kg

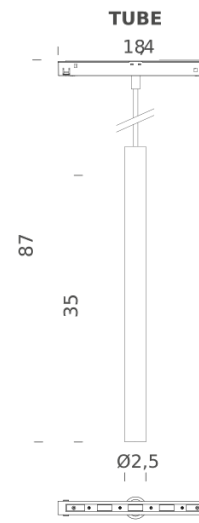
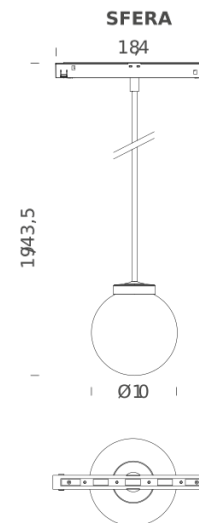
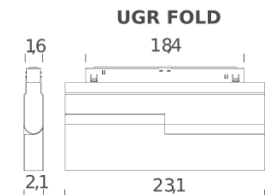
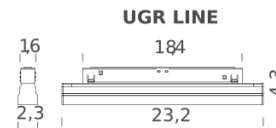
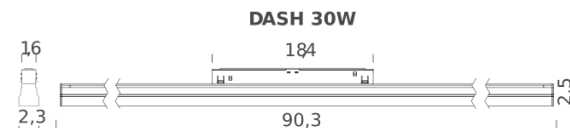
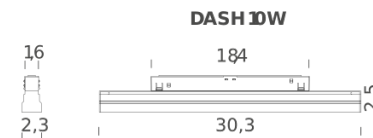
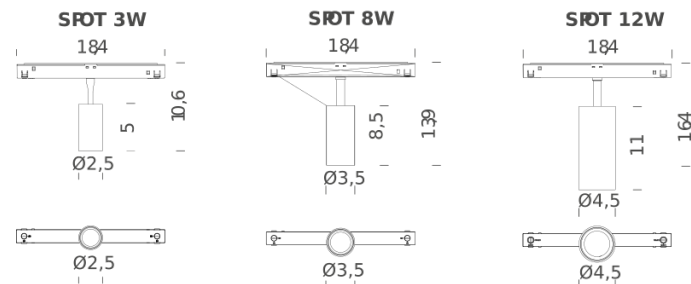
Codes
MFLE5303G47WAN

Structure
black

PACKAGE

Package 01 Dimension: 32x6,5x4,5 cm / Gross weight: 0,2 kg

Certificazioni



TRACK TRIMLESS

TRACK CEILING

DASH 30W | 2700K

LAMPING

Source	Linear LED
Total power	30W
Emission	diffused
Switching	DALI
Tension	48V
Color temperature	2700K
Luminous flux	1435lm
Typ CRI	90
IP class	20
Dimensions	90,3x2,3x2,5
Materials	Aluminium + polycarbonate
Notes	driver, track and accessories not included
Net lamp weight	0,36 kg

Codes

MFLE5309G47DAN

Structure

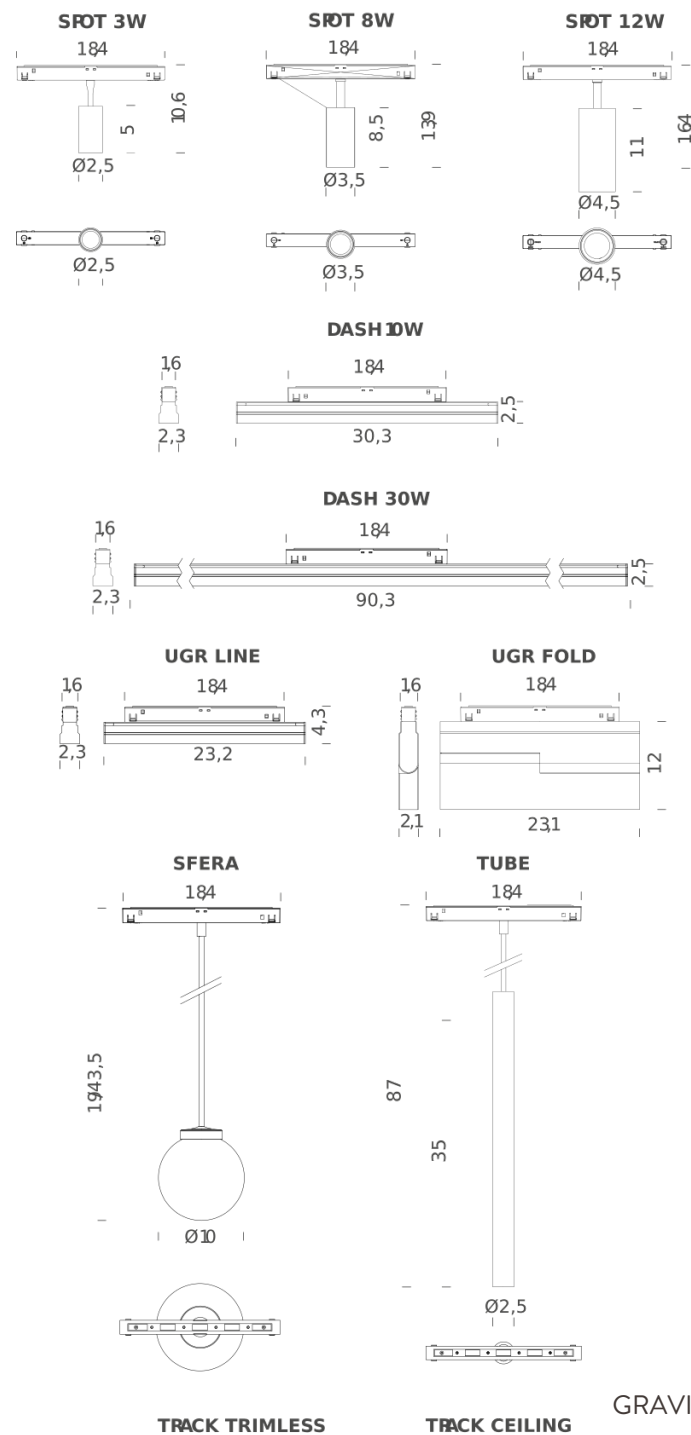
black

PACKAGE

Package 01

Dimension: 92x6,5x4,5 cm / Gross weight: 0,5 kg

Certificazioni



DASH 30W | 3000K

LAMPING

Source	Linear LED
Total power	30W
Emission	diffused
Switching	DALI
Tension	48V
Color temperature	3000K
Luminous flux	1510lm
Typ CRI	90
IP class	20
Dimensions	90,3x2,3x2,5
Materials	Aluminium + polycarbonate
Notes	driver, track and accessories not included
Net lamp weight	0,36 kg

Codes

MFLE5309G47WAN

Structure

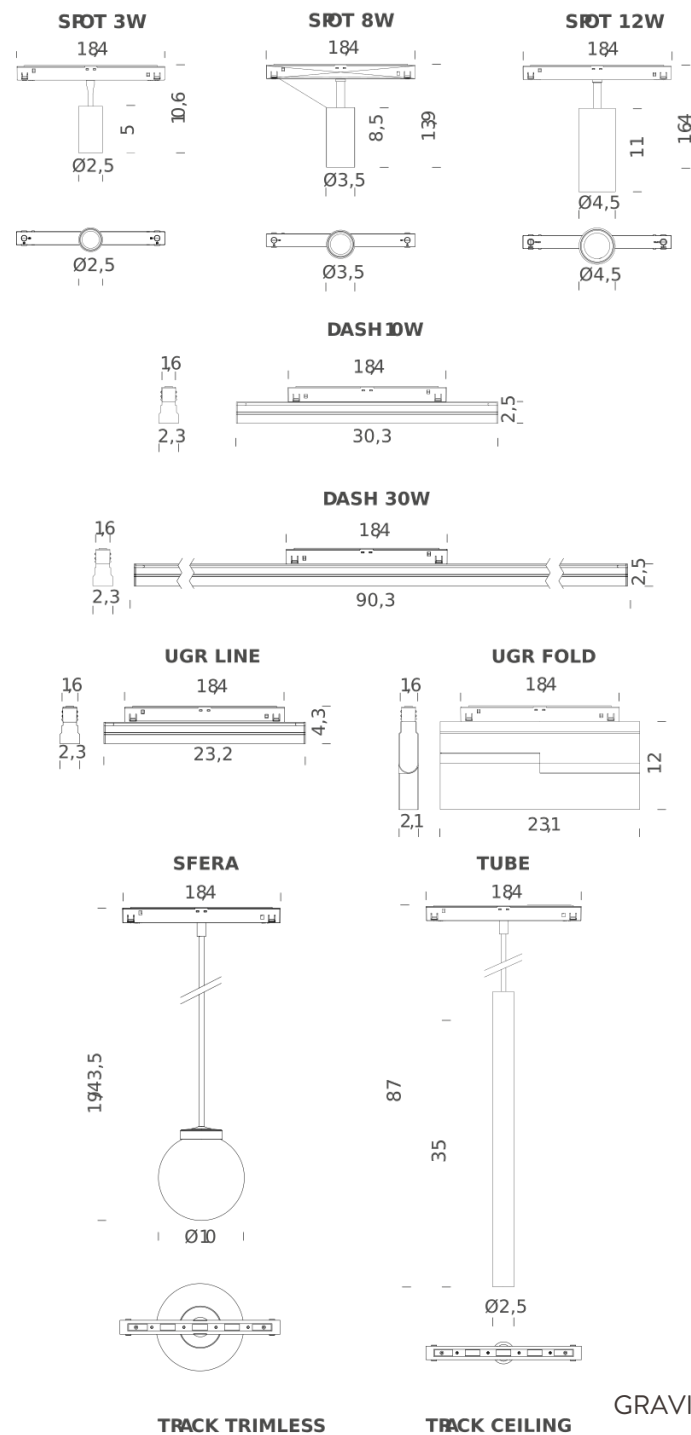
black

PACKAGE

Package 01

Dimension: 92x6,5x4,5 cm / Gross weight: 0,5 kg

Certificazioni



TUBE 10W | 2700K

LAMPING

Total power	10W
Emission	30°
Switching	DALI dimmable
Tension	48V
Color temperature	2700K
Typ CRI	90
IP class	20
Notes	driver, track and accessories not included

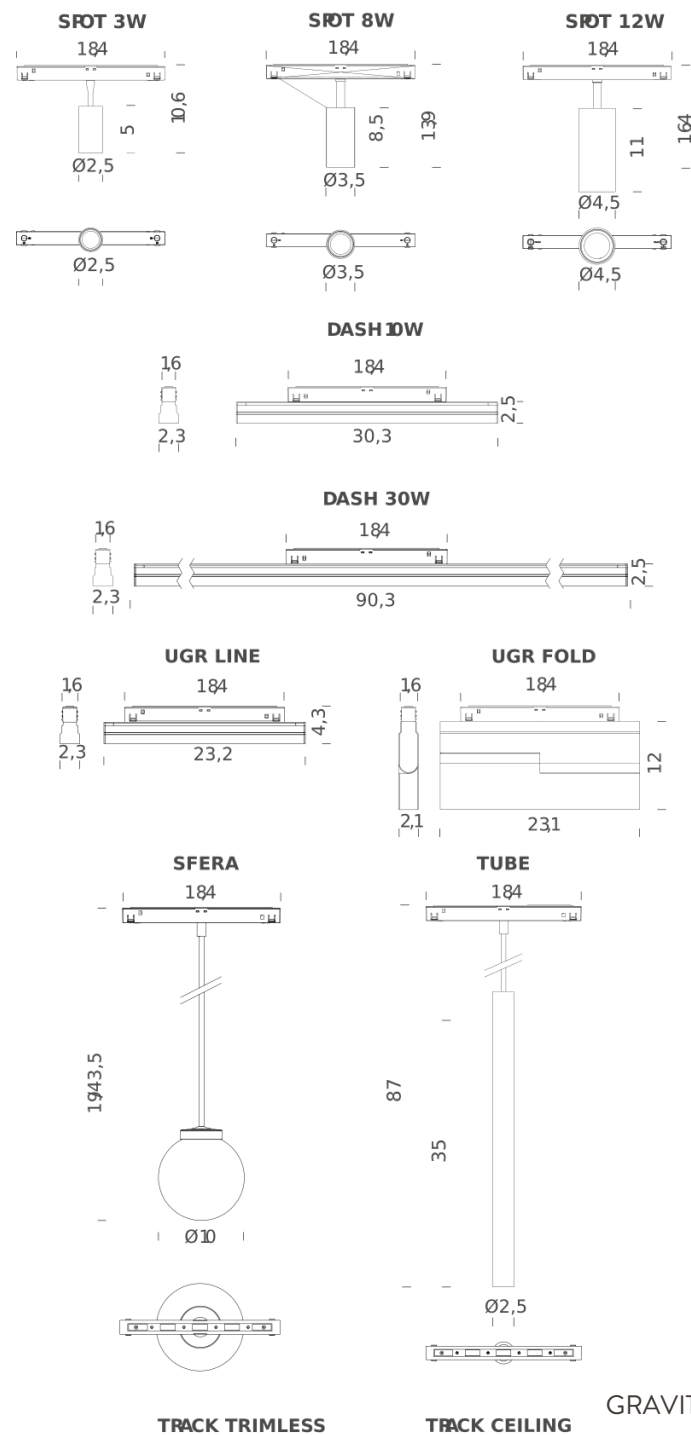
Codes

MGRA5601453DAN

Structure

black

Certificazioni



TUBE 10W | 3000K

LAMPING

Total power	10W
Emission	30°
Switching	DALI dimmable
Tension	48V
Color temperature	3000K
Typ CRI	90
IP class	20
Notes	driver, track and accessories not included

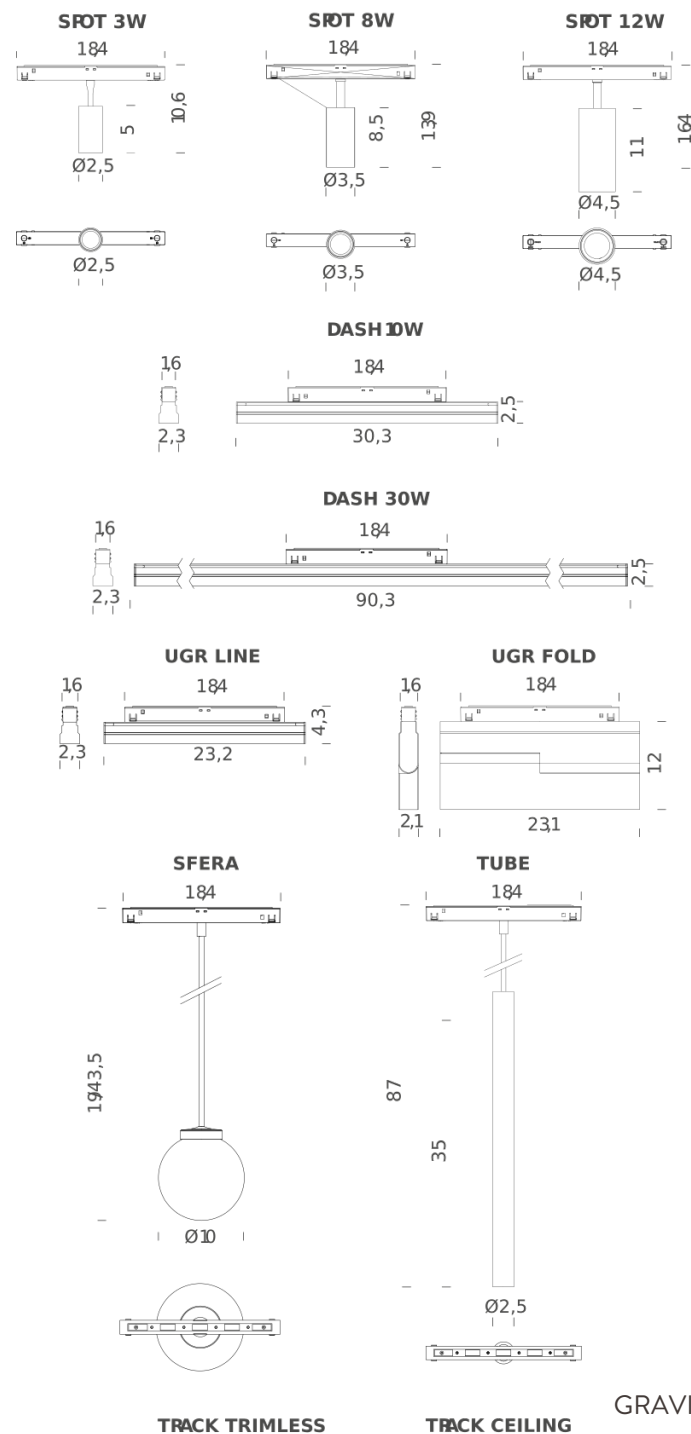
Codes

MGRA5601453WAN

Structure

black

Certificazioni



SPHERE 19CM | 2700K

LAMPING

Total power	5W
Emission	diffused
Switching	DALI
Tension	48V
Color temperature	2700K
Typ CRI	90
IP class	20
Notes	driver, track and accessories not included

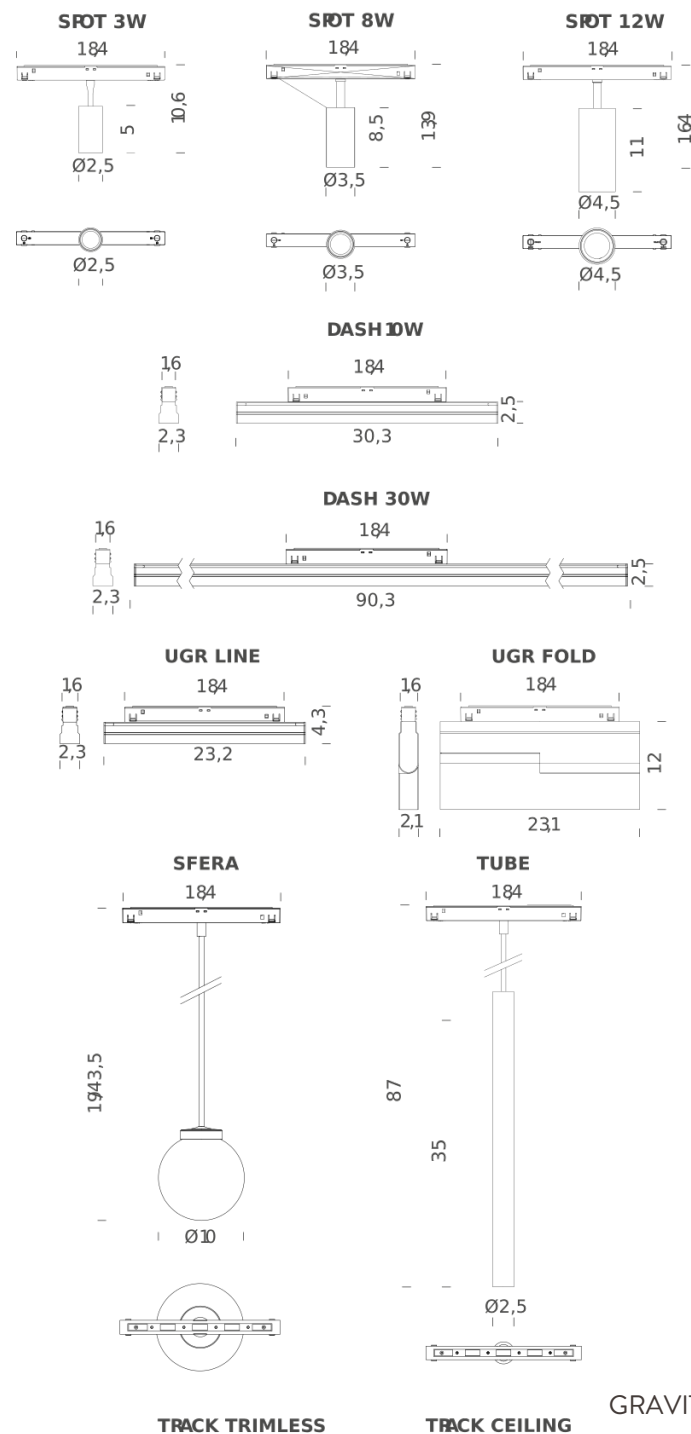
Codes

MGRA5621G21DAN

Structure

white glass

Certificazioni



SPHERE 19CM | 3000K

LAMPING

Total power	5W
Emission	diffused
Switching	DALI
Tension	48V
Color temperature	3000K
Typ CRI	90
IP class	20
Notes	driver, track and accessories not included

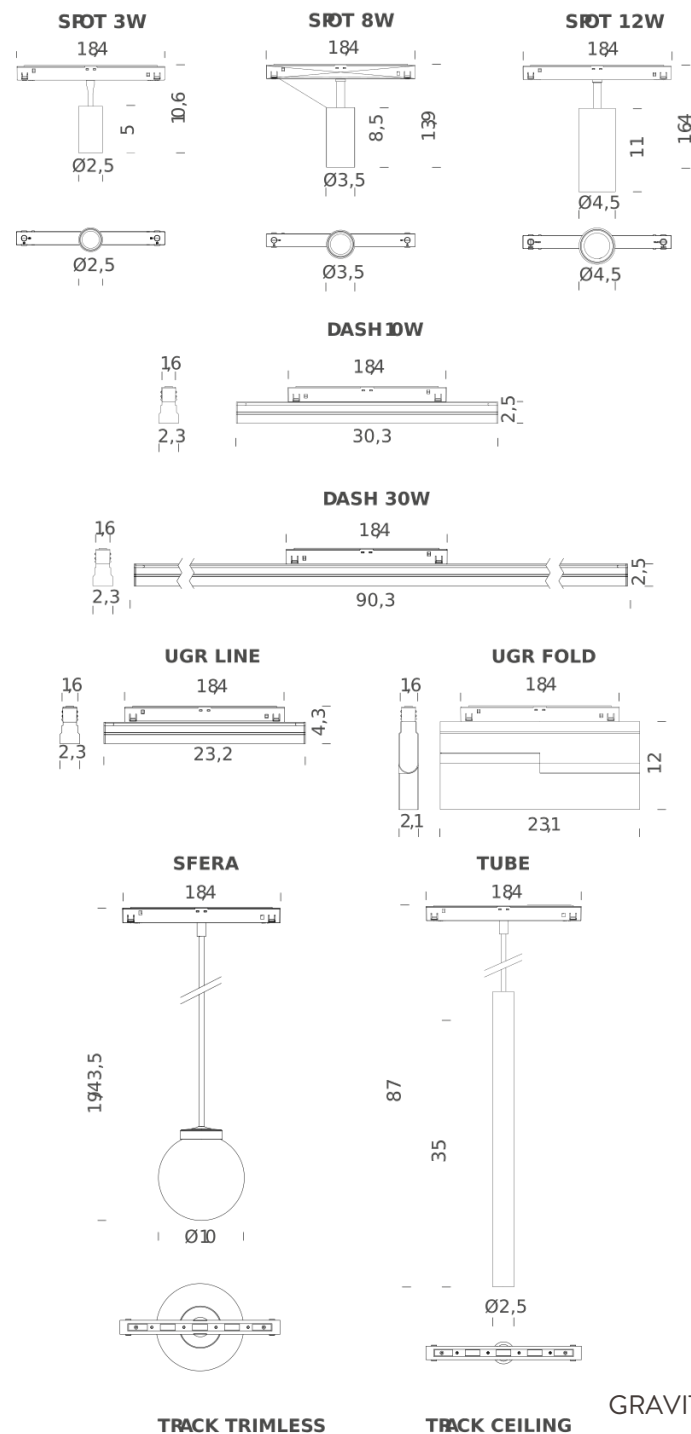
Codes

MGRA5621G21WAN

Structure

white glass

Certificazioni



SPHERE 43,5CM | 2700K

LAMPING

Total power	5W
Emission	diffused
Switching	DALI
Tension	48V
Color temperature	2700K
Typ CRI	90
IP class	20
Notes	driver, track and accessories not included

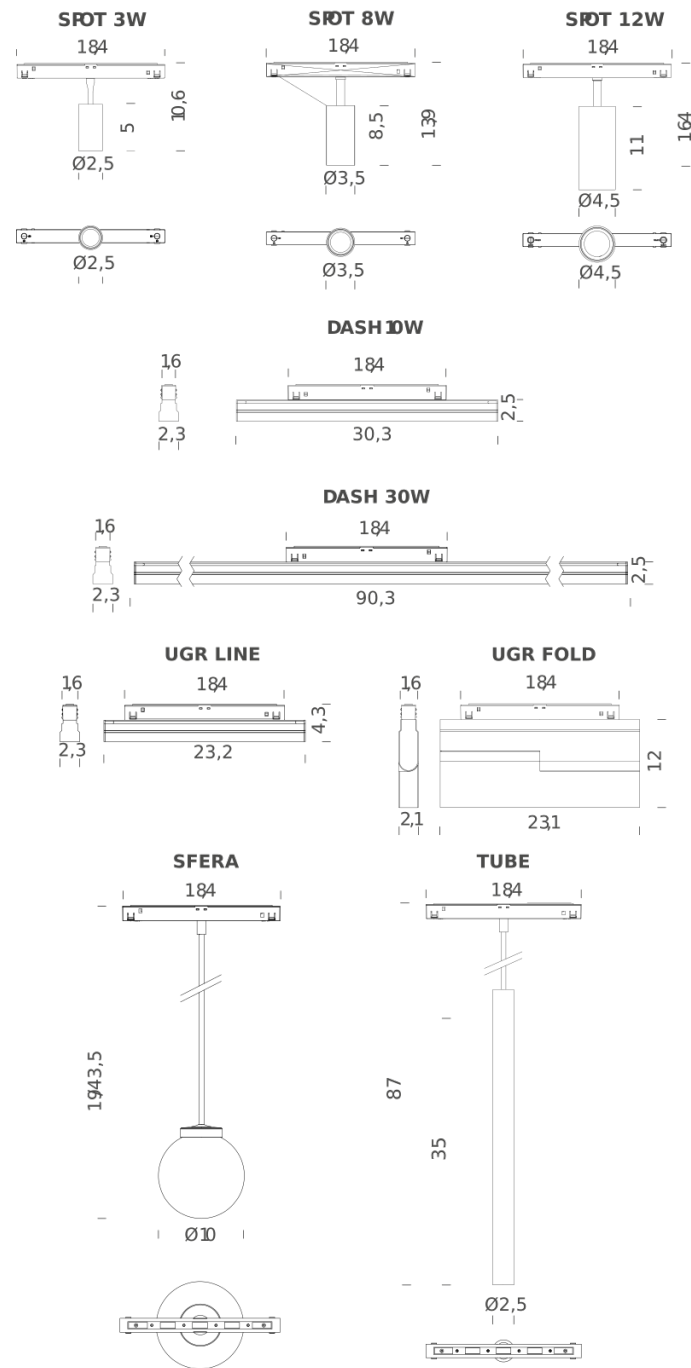
Codes

MGRA5641G21DAN

Structure

white glass

Certificazioni



SPHERE 43,5CM | 3000K

LAMPING

Total power	5W
Emission	diffused
Switching	DALI
Tension	48V
Color temperature	3000K
Typ CRI	90
IP class	20
Notes	driver, track and accessories not included

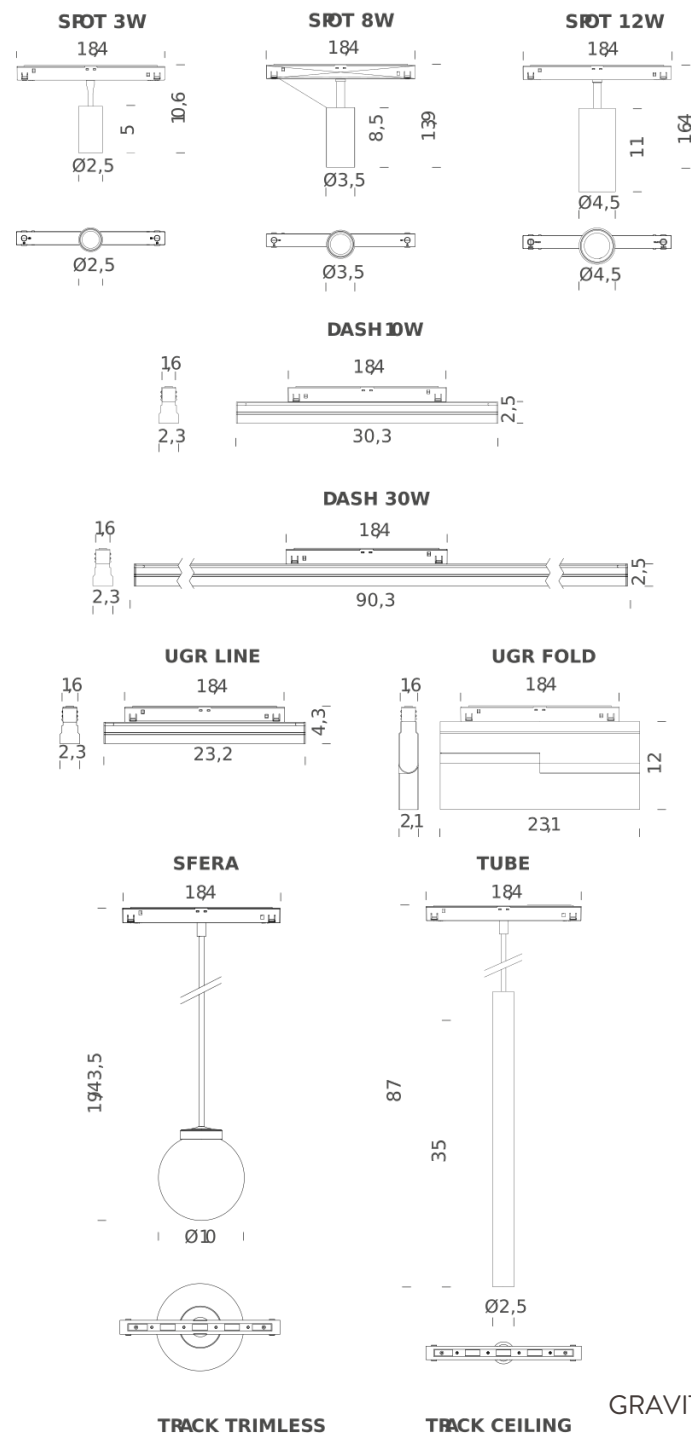
Codes

MGRA5641G21WAN

Structure

white glass

Certificazioni



TRACK CEILING | 1M

LAMPING

Tension	48V
Dimensions	100x2,6x5,4
Materials	Aluminium
Notes	pendant version available
Customization options	recessed trim version
Accessories	Ceiling-Pendant Track 48V - accessories, Ceiling-Trimless Track 48V - accessories,
Net lamp weight	0,97 kg

Codes

MFLE0210NE

Structure

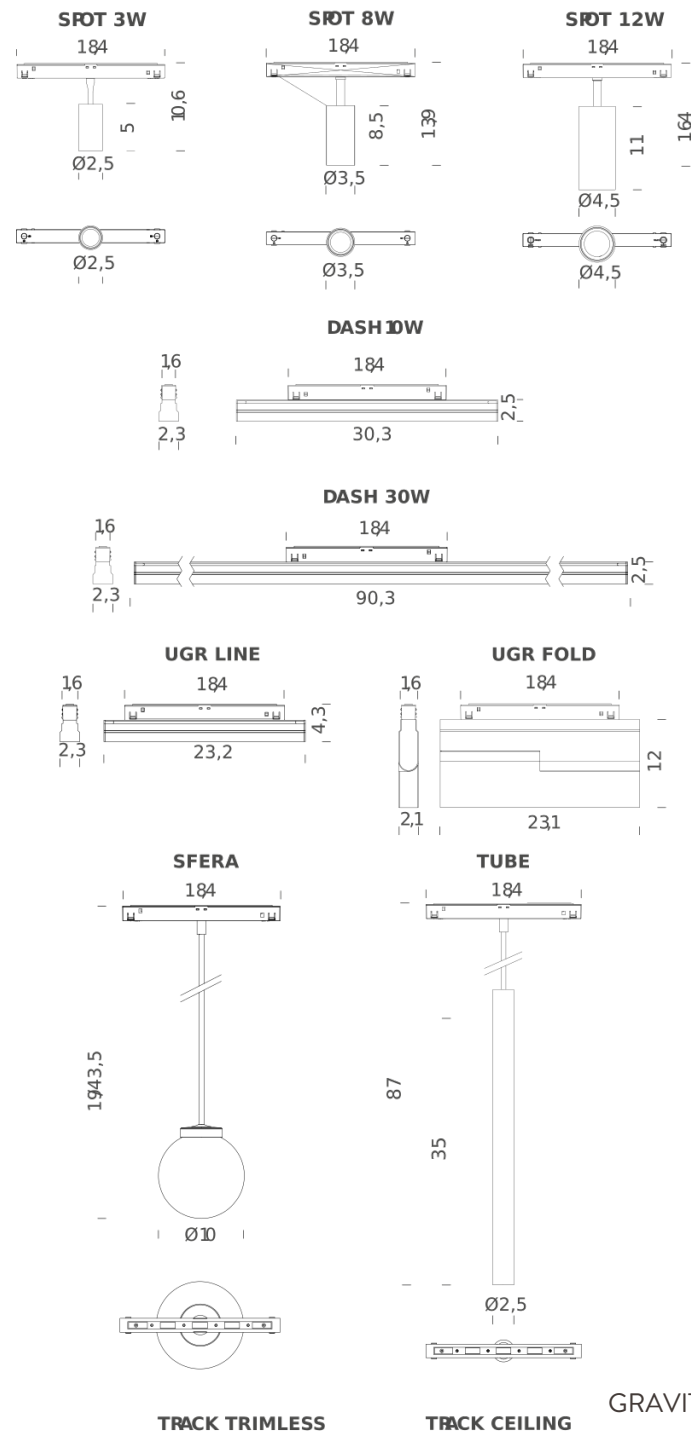
black

PACKAGE

Package 01

Dimension: 107x7,5x7,5 cm / Gross weight: 1,28 kg

Certificazioni



TRACK CEILING | 2M

LAMPING

Tension	48V
Dimensions	200x2,6x5,4
Materials	Aluminium
Notes	pendant version available
Customization options	recessed trim version
Accessories	Ceiling-Pendant Track 48V - accessories, Ceiling-Trimless Track 48V - accessories,
Net lamp weight	1,93 kg

Codes

MFLE0220NE

Structure

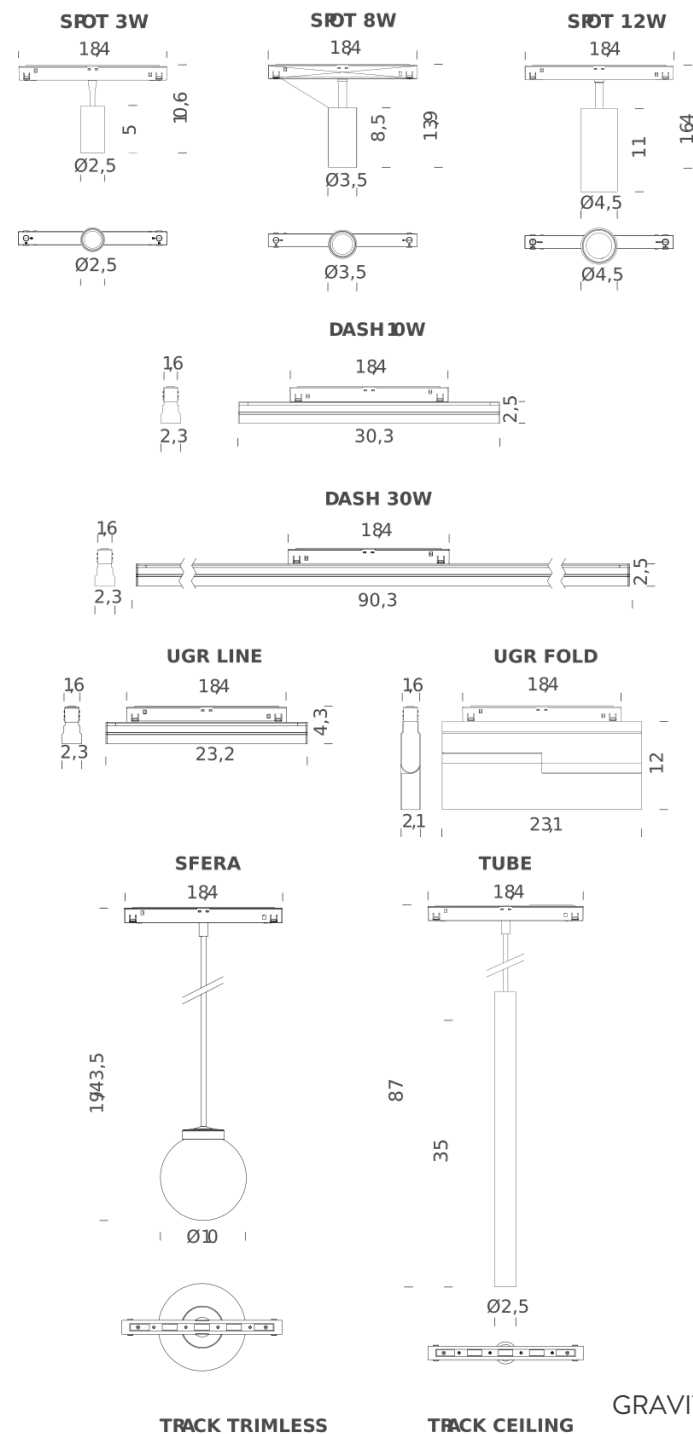
black

PACKAGE

Package 01

Dimension: 207x7,5x7,5 cm / Gross weight: 2,59 kg

Certificazioni



TRACK CEILING | 3M

LAMPING

Tension	48V
Dimensions	300x2,6x5x4
Materials	Aluminium
Notes	pendant version available
Customization options	recessed trim version
Accessories	Ceiling-Pendant Track 48V - accessories, Ceiling-Trimless Track 48V - accessories,
Net lamp weight	2,9 kg

Codes

MFLE0230NE

Structure

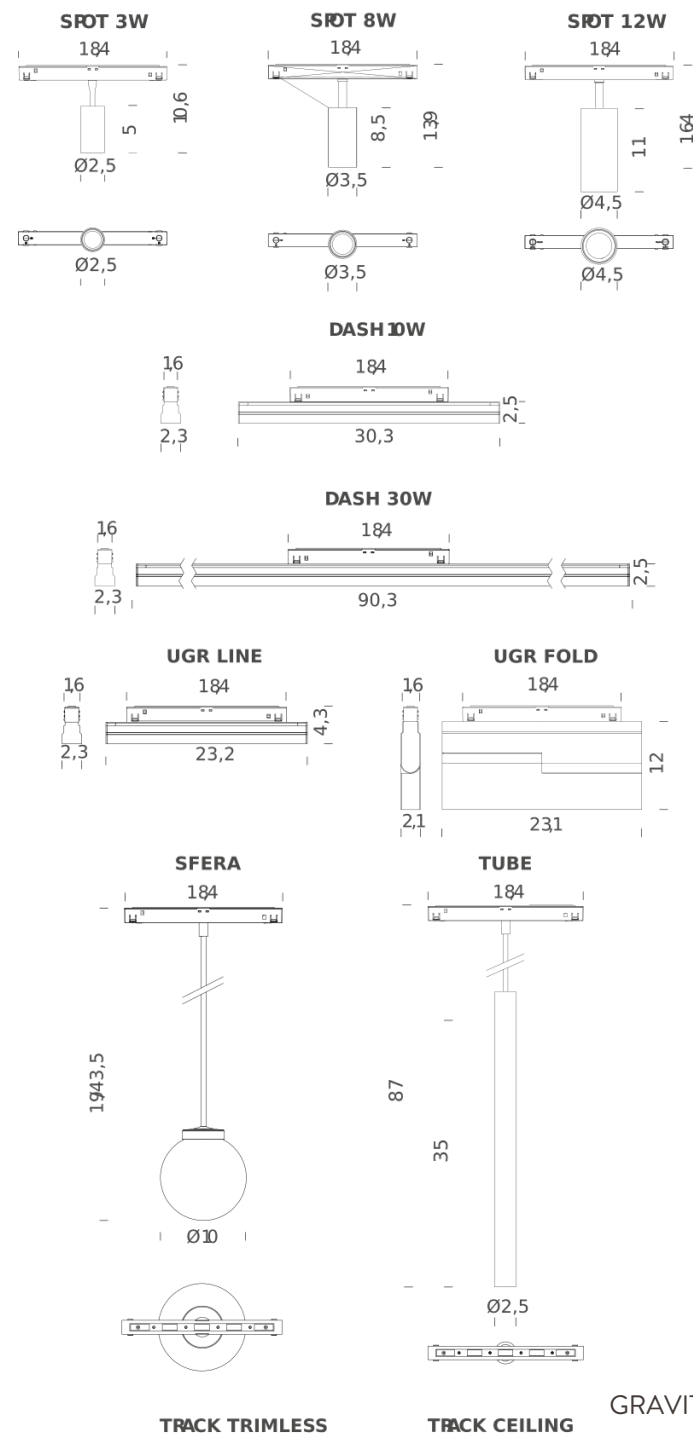
black

PACKAGE

Package 01

Dimension: 307x7,5x7,5 cm / Gross weight: 3,87 kg

Certificazioni



TRACK TRIMLESS | 1M

LAMPING

Tension	48V
Dimensions	100x7,4x5,4
Materials	Aluminium
Customization options	recessed trim version
Accessories	Ceiling-Trimless Track 48V - accessories, Trimless Track 48V - accessories,
Net lamp weight	1,3 kg

Codes

MFLE0810NE

Structure

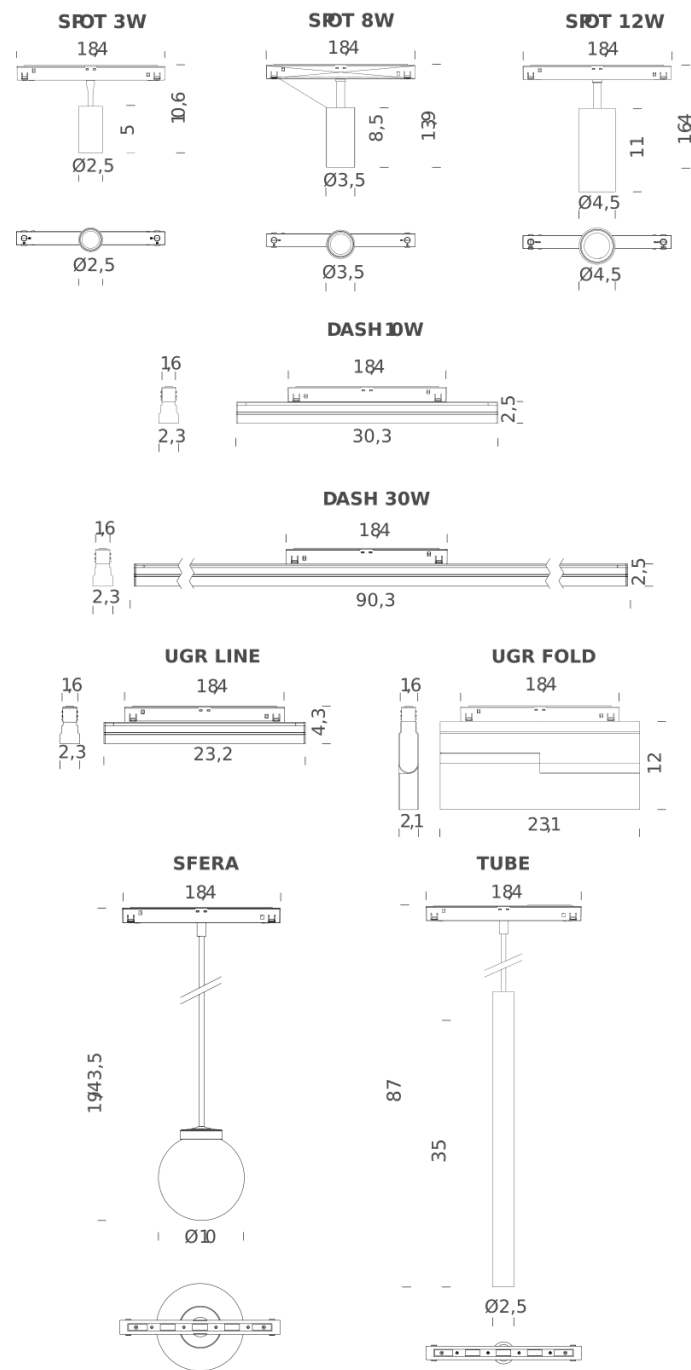
black

PACKAGE

Package 01

Dimension: 107x9,5x9,5 cm / Gross weight: 1,68 kg

Certificazioni



TRACK TRIMLESS

TRACK CEILING

TRACK TRIMLESS | 2M

LAMPING

Tension	48V
Dimensions	200x7,4x5,4
Materials	Aluminium
Customization options	recessed trim version
Accessories	Ceiling-Trimless Track 48V - accessories, Trimless Track 48V - accessories,
Net lamp weight	3 kg

Codes

MFLE0820NE

Structure

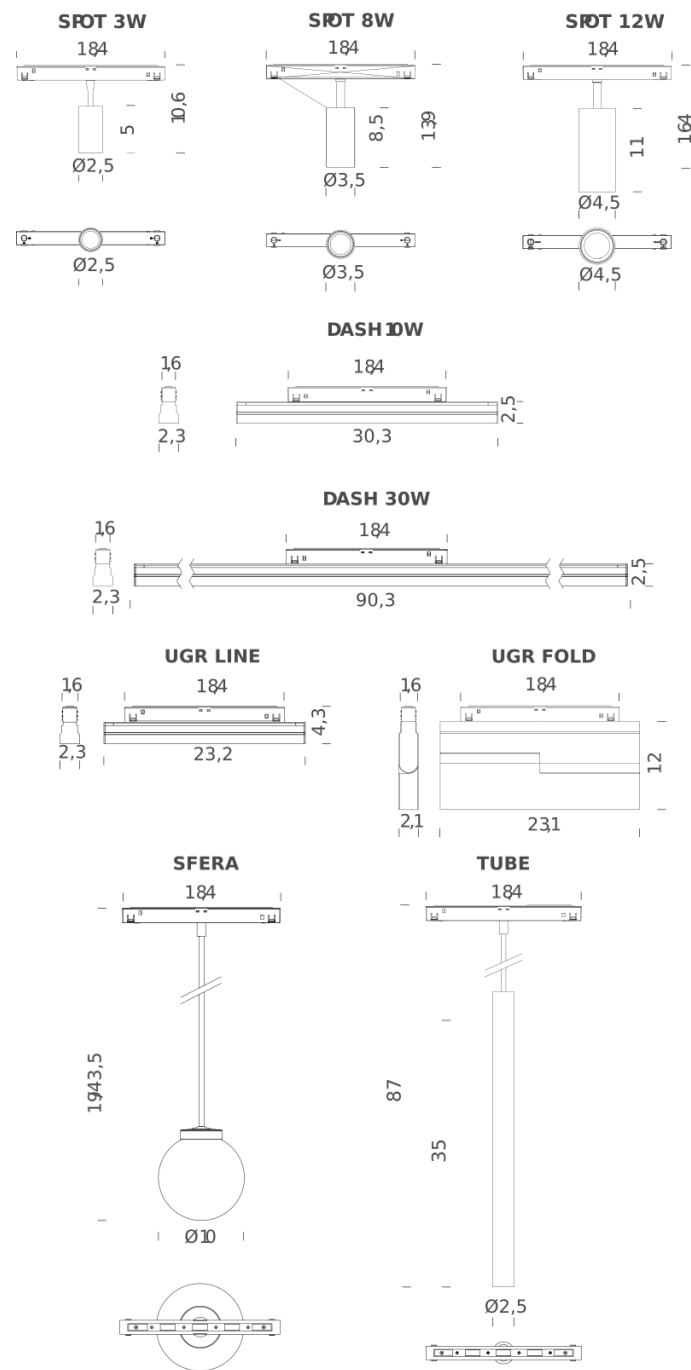
black

PACKAGE

Package 01

Dimension: 207x9,5x9,5 cm / Gross weight: 3,65 kg

Certificazioni



TRACK TRIMLESS

TRACK CEILING

TRACK TRIMLESS | 3M

LAMPING

Tension	48V
Dimensions	300x7,4x5,4
Materials	Aluminium
Customization options	recessed trim version
Accessories	Ceiling-Trimless Track 48V - accessories, Trimless Track 48V - accessories,
Net lamp weight	4,02 kg

Codes

MFLE0830NE

Structure

black

PACKAGE

Package 01

Dimension: 307x9,5x9,5 cm / Gross weight: 5,33 kg

Certificazioni

