

MR.TUBESLED



TONONE

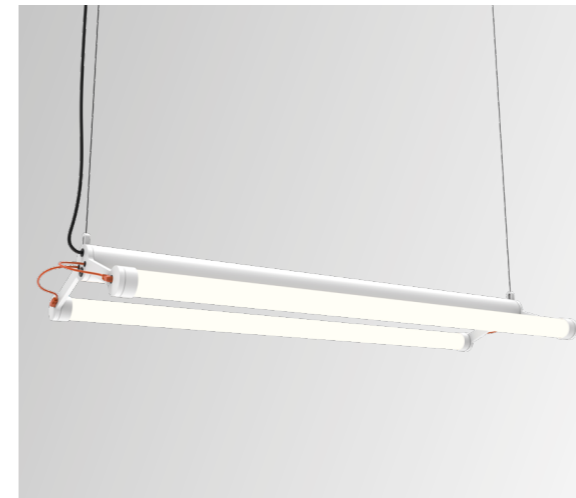
MR.TUBESLED

Design by Anton de Groof 2019

Material steel & aluminum
Description body in coated steel & aluminum, carried by black steel cables.
 the mr. tubes led is dimmable and the steel cables make it possible to hang the lamp at any height. build your own mr. tubes led connect in any direction.

Max Watt	1000 mm tube	11,4 Watt	
	700 mm tube	7,8 Watt	
Led color	2700 K or 4000 K		
	Lumen	1000 mm tube	2700 K 1300 lumen 4000 K 1430 lumen
CRI	700 mm tube	2700 K 890 lumen 4000 K 980 lumen	
	80		

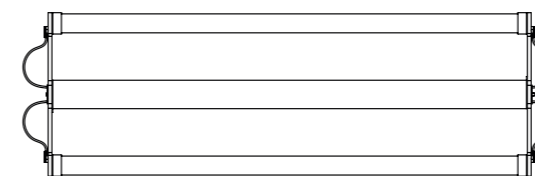
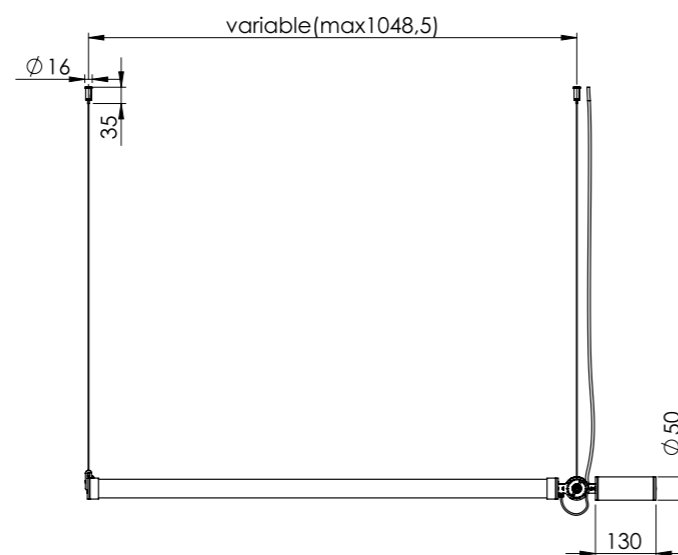
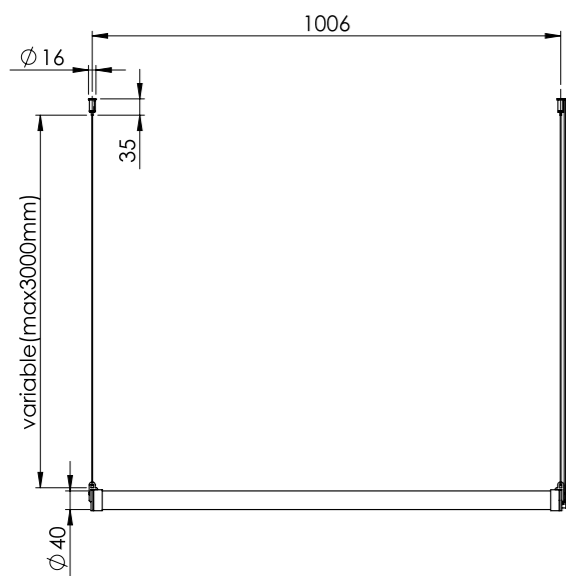
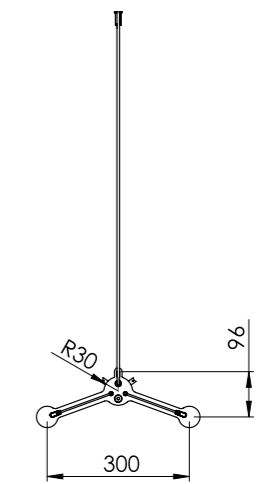
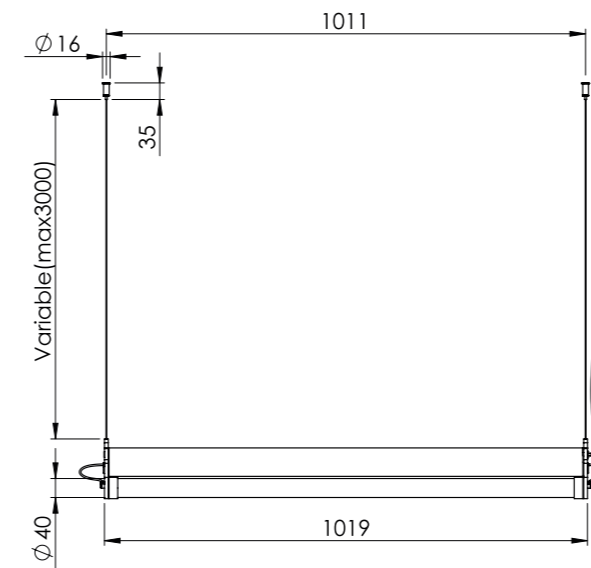
double



single driver separate



single driver on fixture



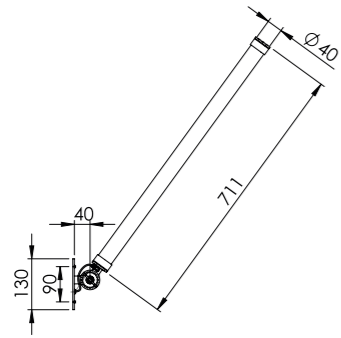
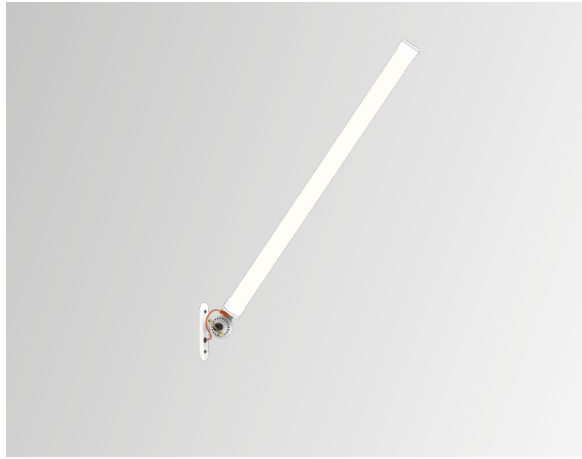
single 2700 K driver separate 4000 4001
 single 4000 K driver separate 4005 4006
 single 2700 K driver on fixture 4015 4016
 single 4000 K driver on fixture 4002 4003
 double 2700 K 4007 4008
 double 4000 K 4020 4021

●	smokey black	4000	4001	4005	4006	4015	4016
○	pure white	4002	4003	4007	4008	4020	4021

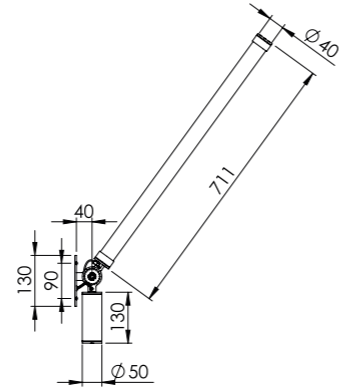
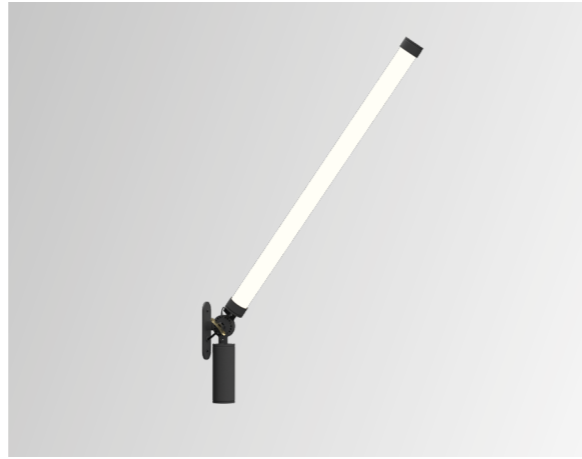


mr. tubes led connect

wall driver separate



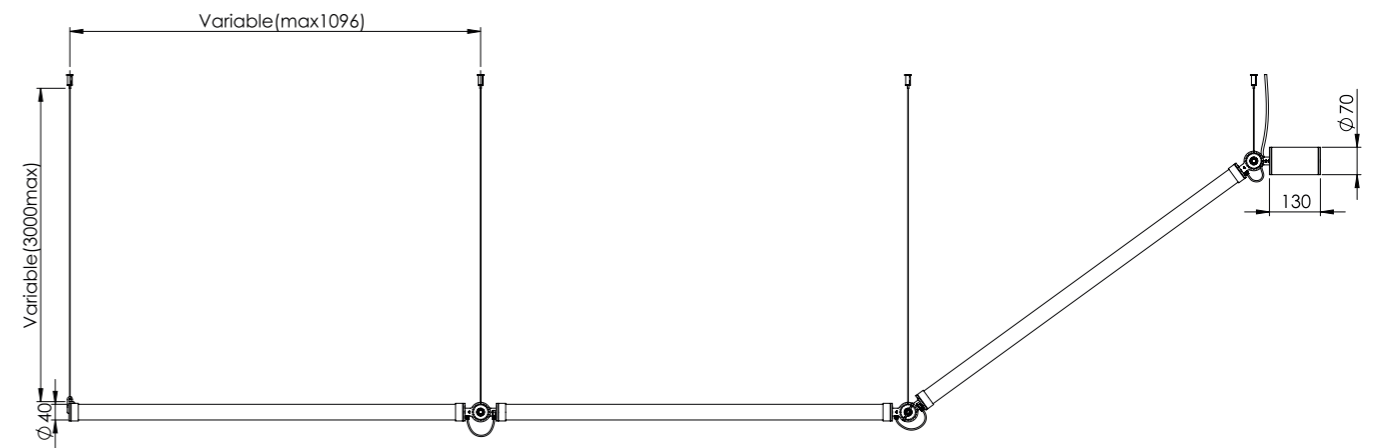
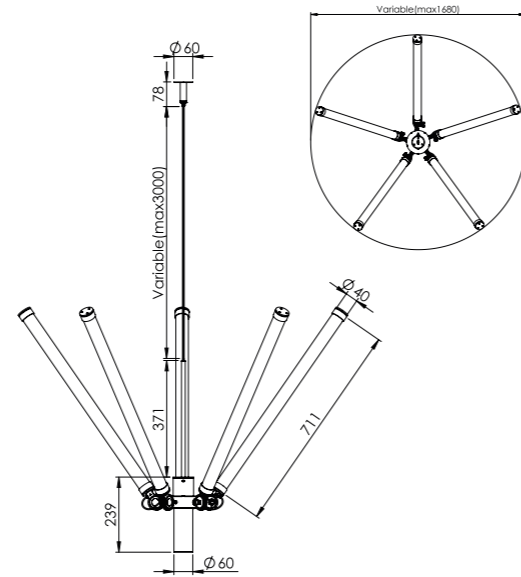
wall driver on fixture



connect (example)



chandelier



- wall 2700 K driver separate
- wall 4000 K driver separate
- wall 2700 K driver on fixture
- wall 4000 K driver on fixture
- chandelier 2700 K
- chandelier 4000 K

●	smokey black	4035	4036	4039	4040	4045	4046
○	pure white	4037	4038	4041	4042	4050	4051

plan your
mr. tubes led connect
together with us
info@tonone.com

- driver separate
- driver on fixture

please contact us for more information
on the mr. tubes led.

