

TONONE

technical specifications

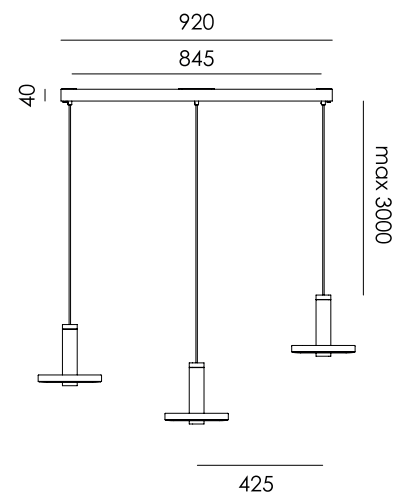
BEADS 3 in line

Design by Anton de Groof, 2018



The Beads collection is designed to fit in every environment. The modest look of the armature, shines when it comes to functionality. With its 360° dimmable led range, Beads is a solution for every situation. The lightweight Beads lamp is equipped with a high-quality integrated LED light source. The Beads 3 in line is a set of 3 Beads pendants with a frame of black powder-coated aluminium. The Beads are adjustable to the desired height. Beads is dimmable through an external LED dimmer (not included).

Type	Pendant
Environment	Indoor
Material	Aluminum
Cord length	Max. 3000 mm
Weight	3 kg
Voltage	220-240 V
Watt	13 Watt
IP	20
Lightsource	Integrated LED source
Lumen	3 × 1350
Kelvin	Dim to warm (2100K to 3000K)
CRI	90
Dimmable	Phase cut dimmable
Packaging	
Weight	6,2 kg
Length	100 cm
Width	27 cm
Height	42 cm



TONONE

technical specifications



Article number



smokey black

3020