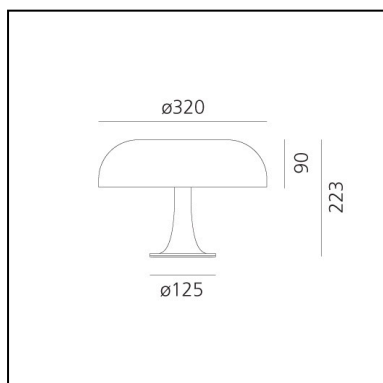


Nessino Special Edition Black

Giancarlo Mattioli
Gruppo Architetti Urbanisti
Città Nuova



IP20   **EAC**  **CE** 



LUMINAIRE *

– Watt: **20W**

– Voltage: **220V-240V** depending on the source installed.
Light measurements are provided in relative form and technical lighting calculations may be updated according to the effective source used.

DESCRIPTION

Nessino is an icon of Italian design from the '60s, a decade that heralded the conquest of modernity in which design redefined the domestic landscape through the first uses of plastics. Innovative and democratic, its expressive form inspired by nature interprets and challenges industrial manufacturing technology.

FEATURES

- Product Code: **S0039060A05**
- Colour: **Black**
- Installation: **Table**
- Material: **Technopolymer body and diffuser**
- Series: **Design Collection**
- Environment: **Indoor**
- Emission: **Diffused And Direct**
- design by: **Giancarlo Mattioli, Gruppo Architetti Urbanisti Città Nuova**

DIMENSIONS

- Height: **223 mm**
- Diameter: **320 mm**
- Base Diameter: **125 mm**

SOURCES NOT INCLUDED

- Category: **LED RETROFIT**
- Number: **4**
- Watt: **MAX 6W**
- Socket: **E14**