

CHLORIS

Arihiro Miyake

Comprehension and prediction of future technologies are the driving themes behind Chloris, a two-year research project by Arihiro Miyake. A pendant lamp which explores the paradigm of atmospheric design. Framed by a conducting structure, single LED sources are embedded in polycarbonate diffusers, dispersing in the air like floating.



LED

LAMPING

Source	LED board
Total power	74W
Emission	diffused
Switching	dimnable, DALI push
Tension	110-240V
Color temperature led	2700K
Luminous flux led	3050lm
Typ CRI	90
Ip class	20
Dimensions	ø90x56cm
Materials	Nickel-Plated Steel + Silk-Screened pc
Notes	cable length 2,5m, 1-10V version on request (+120€), TRIAC version on request (+200€), CASAMBI version on request (+225€)

Codes

CHL LGD 51

Structure/Diffuser

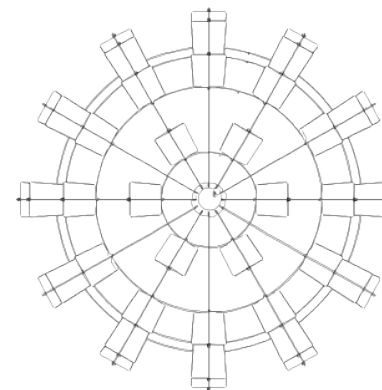
nichel/white

PACKAGE

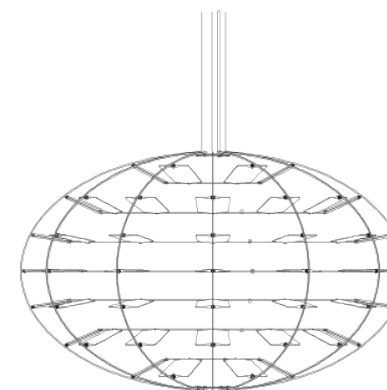
Package 01

Dimension: 100x100x70 cm / Net weight: 9,3 kg / Gross
weight: 13,5 kg

Certificazioni



90



56